

PRODUCT DATASHEET



RECOMMENDED FOR USE IN:

Carriageways carrying continuous heavy traffic in areas requiring improved removal of surface water.

Aqua-Max includes several features that enhance durability, security, ease of use and water clearing efficiency resulting in a solution that offers long term performance focusing on the reduction of whole life costs.



DURABILITY

To aid the reduction of whole life costs, the Aqua-Max design incorporates the Load Transfer System (LTS) to radically improve installation and product lifespan lowering the frequency of reinstatement and replacement



SECURITY

A captive hinged grating and an integral automatic spring bar locking mechanism combine to offer enhanced anti-theft and security capabilities



HEALTH & SAFETY

To help reduce work-related injuries, an ergonomic hinged design makes opening simpler, easier and safer



PERFORMANCE

The unit is non rock and silent in operation. Large multi-directional wedge seatings enhance stability and durability which reduces whole life costs



ACCREDITATION

Third party certified by BSI and kite marked to the requirements of BS EN 124. Compliant to the requirements of Highways England advice note HA104/09



WATER CLEARING EFFICIENCY

A special asymmetrical design in the area adjacent to the kerb disrupts the normal flow to increase the volume of water entering the gully



SAVE TIME & COST

Available with the Install Plus frame levelling and installation system as standard



Saint-Gobain PAM UK

Tel: 0115 930 5000

www.saint-gobain-pam.co.uk

Email: sales.uk.pam@saint-gobain.com

AQUA-MAX D400 CAPTIVE HINGE GRATING RANGE	ISSUE NO:	SGPUK004	DATE:	03.2018
---	-----------	----------	-------	---------

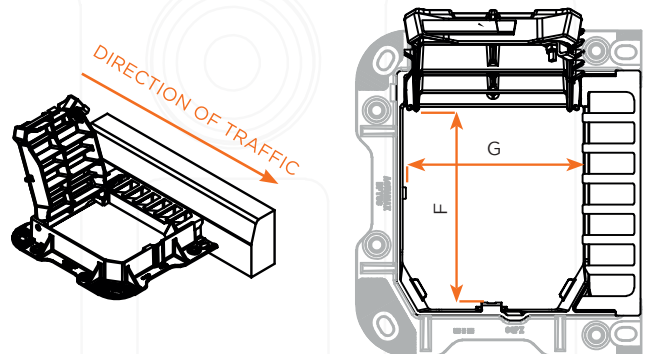
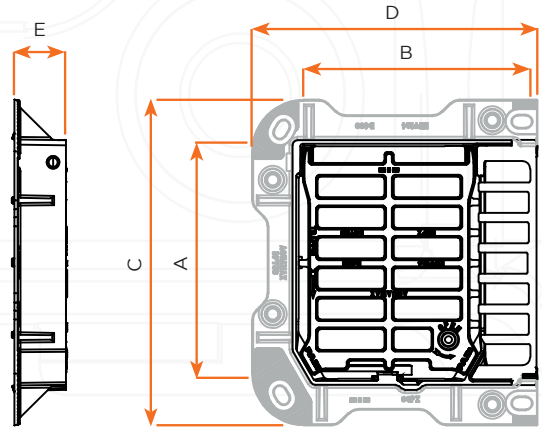
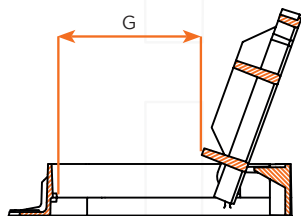
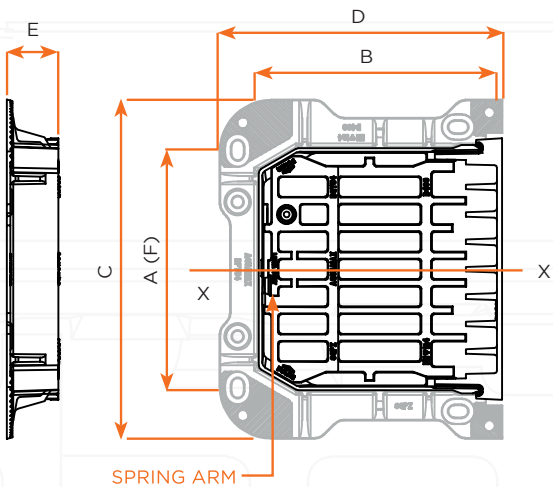
Manufactured in the UK to the highest Quality, Environmental and Health and Safety standards.

AQUA-MAX D400 CAPTIVE HINGE GRATING RANGE

SAP CODE	SAP CODE WITH INSTALL PLUS	OPENING DIRECTION	BS EN124 CLASS	CLEAR OPENING A x B (mm)	ACCESS OPENING (mm)		OVER BASE C x D (mm)	DEPTH E (mm)	WATERWAY AREA (cm ²)	HA102 GRATING TYPE	TOTAL MASS (kg)	BEARING PRESSURE (N/mm ²)	PALLET QTY	PREV. REF
205864	255455	KERB	D400	450 x 450	450	280	660 x 550	100	1240	R	45.5	3.3	12	BY34 1
205865	255456	KERB	D400	450 x 450	450	280	660 x 550	150	1240	R	50	3.4	9	BY35 1
252124	255457	LEFT HAND	D400	450 x 450	369	350	625 x 550	100	1220	R	42	3.9	12	BY36 1
252104	255458	LEFT HAND	D400	450 x 450	369	350	625 x 550	150	1220	R	50.5	3.8	12	BY37 1
263876	263936	RIGHT HAND	D400	450 x 450	369	350	625 x 550	150	1220	R	50.5	3.8	12	BY39 1

KERB HINGED

END HINGED



+ For Install Plus details see Install Plus information sheet
Produced at Holwell Works, UK