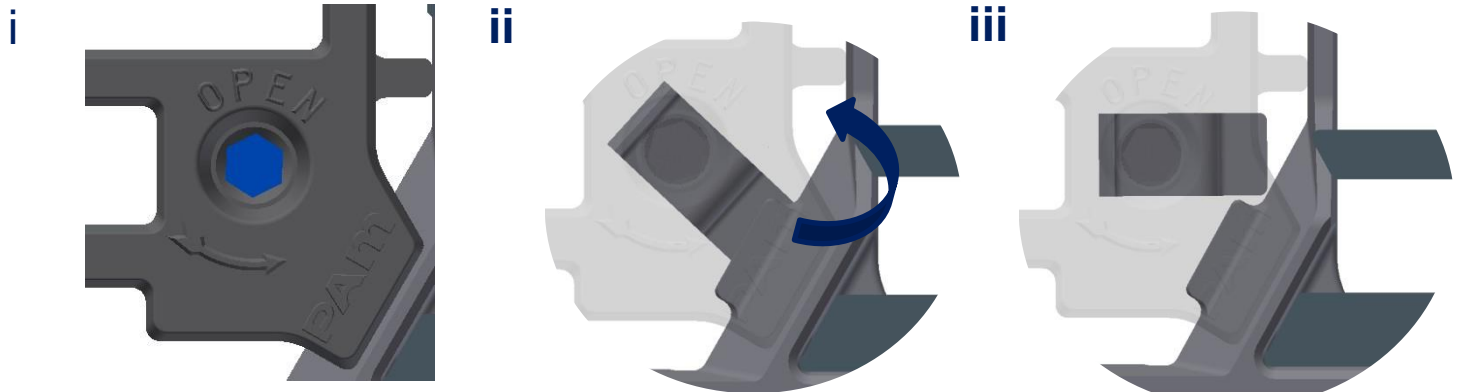
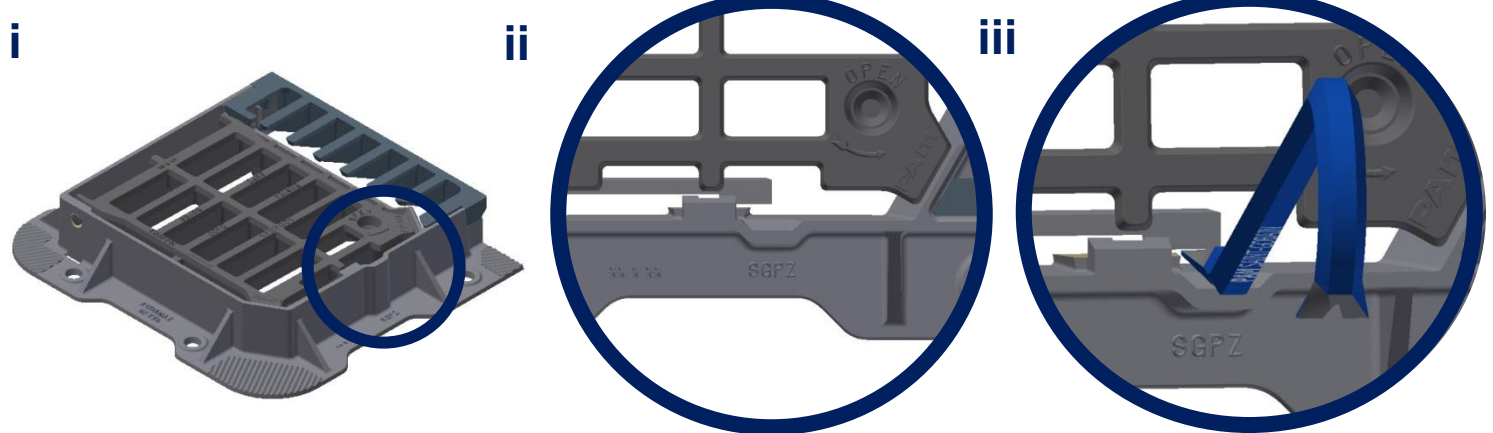


## Opening of an End Hinge Aquamax

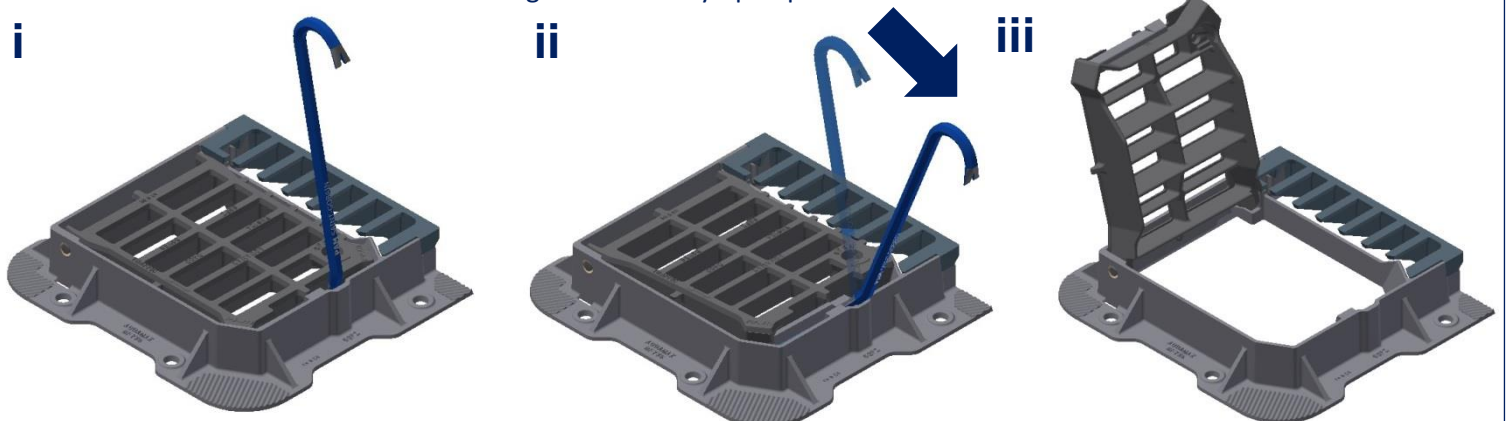
**1** If the unit is fitted with a turn buckle lock, rotate the bolt anti clockwise until the lock paddle is out of alignment with the frames locking feature.



**2** Insert a crow bar or prising tool into the slot at the opening end of the grate. Place the tools head between the spring arm and frame wall.

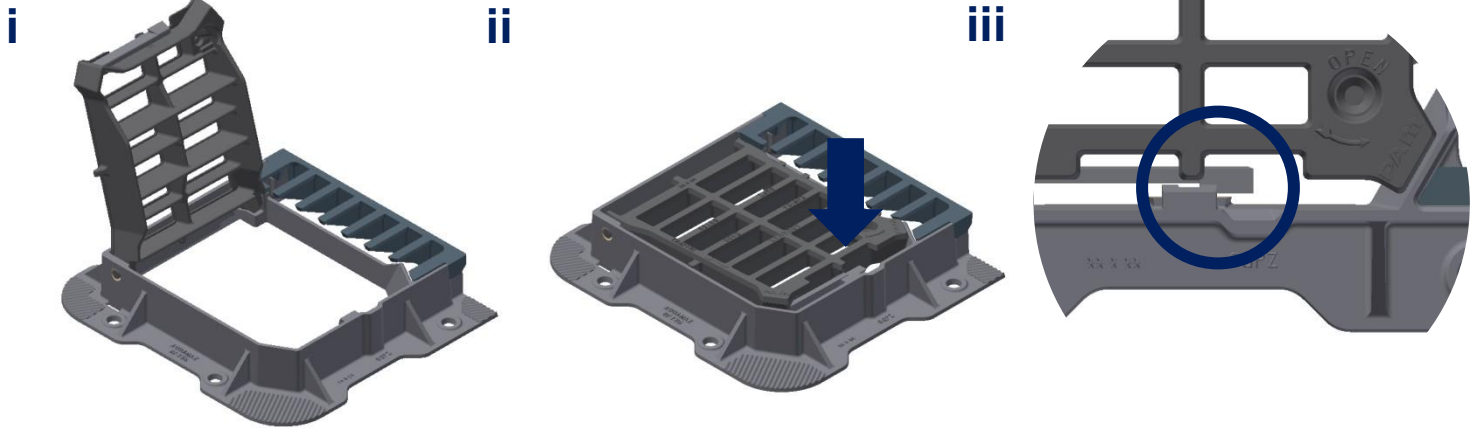


**3** Gently but firmly lever the tool backwards until the spring arm becomes free and the grate edge lifts. Remove the lever tool and rotate the grate to its fully open position.

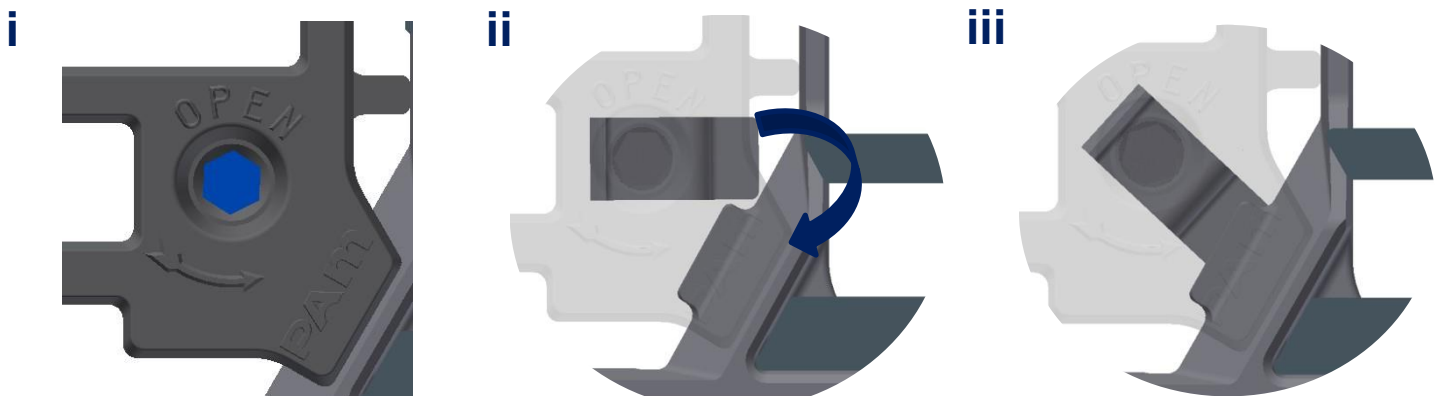


## Closing of an End Hinge Aquamax

**1** To close the unit lower the grate into the closed position. Apply firm pressure onto the grates edge, at the opening end, until the spring arm engages with the retaining feature on the frame.



**2** If the unit is fitted with a turn buckle lock, rotate the bolt clockwise until the lock paddle is in alignment with the frames locking feature.



FOR FURTHER INFORMATION PLEASE CONTACT THE TECHNICAL HELPLINE ON (01664) 814014