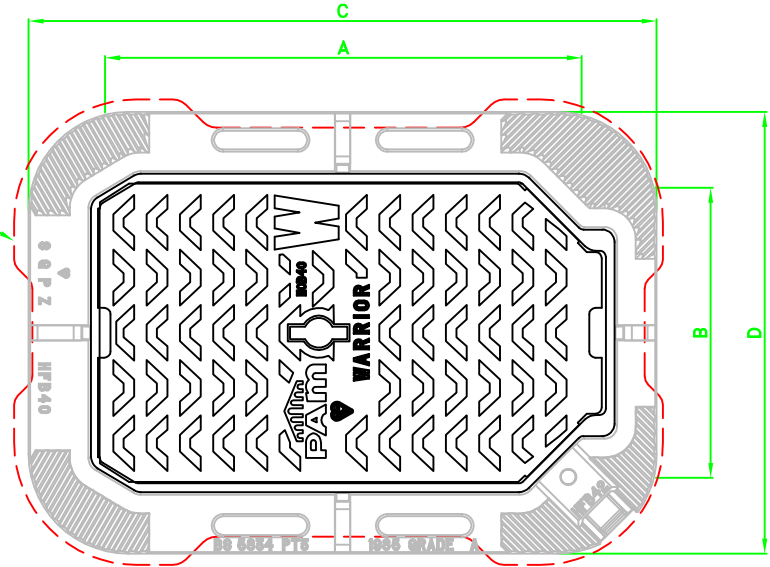
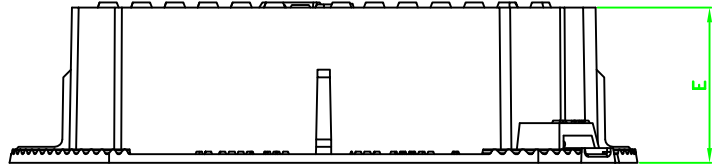
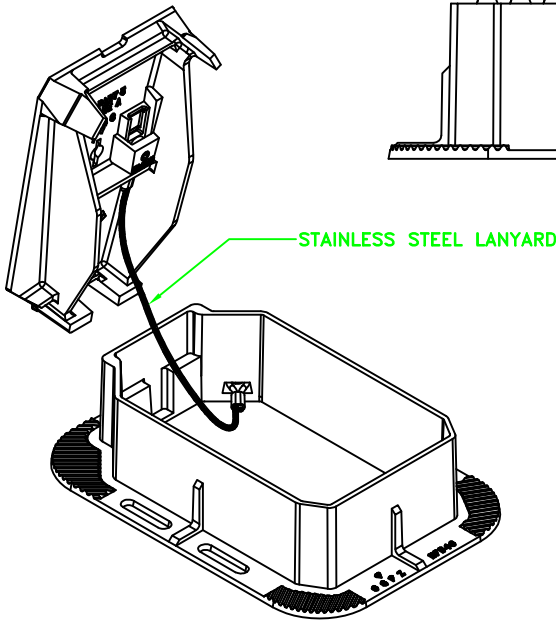


HB36 1/AL PROFILE

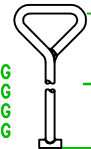


237448 SHOWN



USE LIFTING KEY(S):

- 190668 (RMA57) 610mm LONG
- 190667 (RMA56) 467mm LONG
- 190666 (RMA55) 381mm LONG
- C50 (RMA62) 152mm LONG



WARRIOR SURFACE BOXES
FOR USE IN CITY TRUNK ROADS CARRYING HEAVY TRAFFIC

SAP CODE	STANCAD REF.	BS 5834		CLEAR OPENING (A x B)	OVER BASE (C x D)	DEPTH (E)	TOTAL MASS kg	PALLET QUANTITY
		GRADE	PART					
TBC	HB36 1/AL	A	3	380 x 230	535 x 380	125	27	30
237448	HB40 1/AL	A	3	380 x 230	505 x 355	125	26	30

Standard Badgings Available

COPYRIGHT and DESIGN RIGHT
This drawing is the exclusive property of Saint Gobain PAM UK and is confidential and must not be reproduced or disclosed to any third party without written consent. It must be used only for the purpose for which it has been issued and is returnable on request.

Produced at Holwell Works in UK



BS5834 GRADE	APPLICATION	FEATURES	KITEMARK	DRAWN	DATE	DRAWING TITLE	ISSUE
A		SINGLE PIECE COVER NON-ROCK TWO PRISING SLOTS		SPB	13/08/13		
				NTS	27/01/14		
				CHECKED	DATE	WARRIOR WITH ANTI-THEFT LANYARD	2
				APPROVED	DATE		

The information on this sketch is, to the best of our knowledge correct at the time of printing. However Saint-Gobain are constantly looking at ways of improving their products and services and therefore reserve the right to change, without prior notice, any of the data shown. Any orders placed will be subject to our Standard Conditions of Sale, available on request.