

CAPTIVE HINGED PAVEMENT SURFACE BOX HH90

USE: Pavements and other pedestrian areas where hinged access is required.

Badged variants available.

Hinge Pin material – Stainless Steel

SAP CODE	STANCAD CODE	BS5834 GRADE	CLEAR OPENING A X B	BASE SIZE C	TOTAL DEPTH E	TOTAL MASS kg
187022	HH90 1	B2H	135 x 125	210 DIA	75	4.2

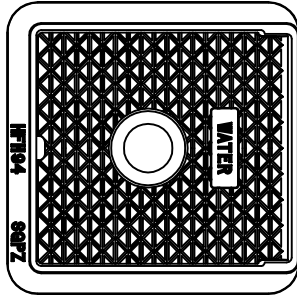
COPYRIGHT and DESIGN RIGHT
 This drawing is the exclusive property of Saint Gobain PAM UK and is confidential and must not be reproduced or disclosed to any third party without written consent.
 It must be used only for the purpose for which it has been issued and is returnable on request.

Produced at Holwell
 Works in UK

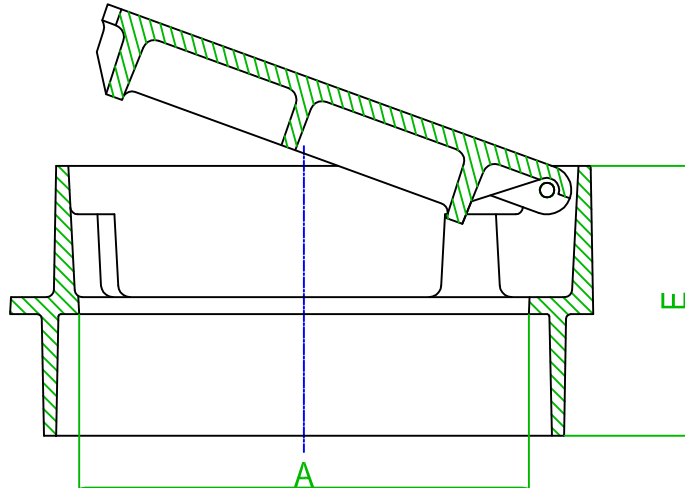
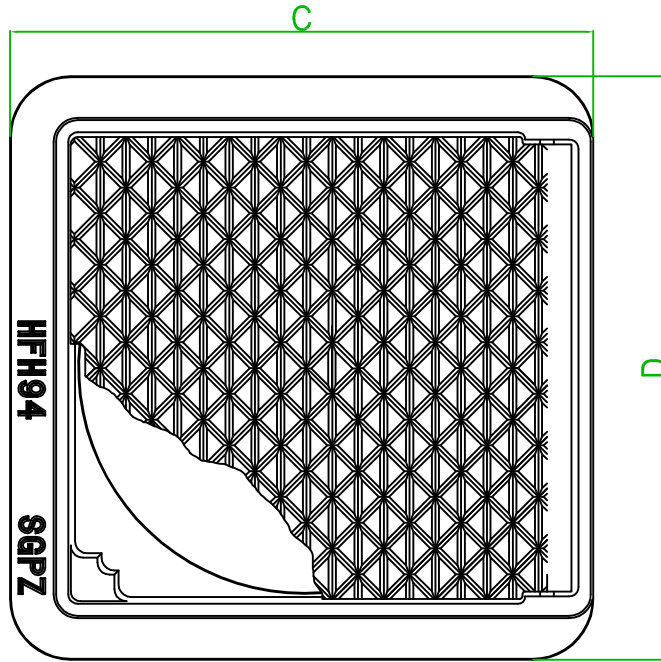


FEATURE	APPLICATION	DRAWN	DATE FIRST ISSUED	DRAWING TITLE	ISSUE
Captive Hinge	Pavement Areas	JNP	22/03/06	HH90	6
		SCALE NTS	DATE THIS ISSUE 12/05/11		

The information on this sketch is, to the best of our knowledge correct at the time of printing. However Saint-Gobain are constantly looking at ways of improving their products and services and therefore reserve the right to change, without prior notice, any of the data shown. Any orders placed will be subject to our Standard Conditions of Sale, available on request.



187028



HINGED PAVEMENT SURFACE BOX WITH SPIGOT
 (187029 SHOWN)

USE: Pavements and other pedestrian areas where hinged access is required.
 Hinge Pin material - Stainless Steel

SAP CODE	STANCAD CODE	BS5834 PT 2 GRADE	CLEAR OPENING A DIA	SPIGOT I/D mm	BASE SIZE C x D	TOTAL DEPTH E	TOTAL MASS kg
* ** 187028	HH93E 1	B2H LOADING	180 DIA	202 DIA	240 x 240	110	8.5
187029	HH94 1	B2H LOADING	180 DIA	202 DIA	240 x 240	110	8.5
** 187030	HH94E 1	B2H LOADING	180 DIA	202 DIA	240 x 240	110	8.5

* 40mm Hole in lid for encoded meter application

** Badged WATER

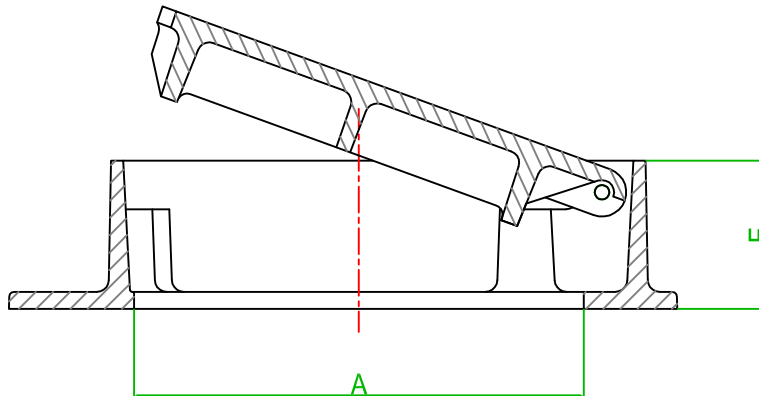
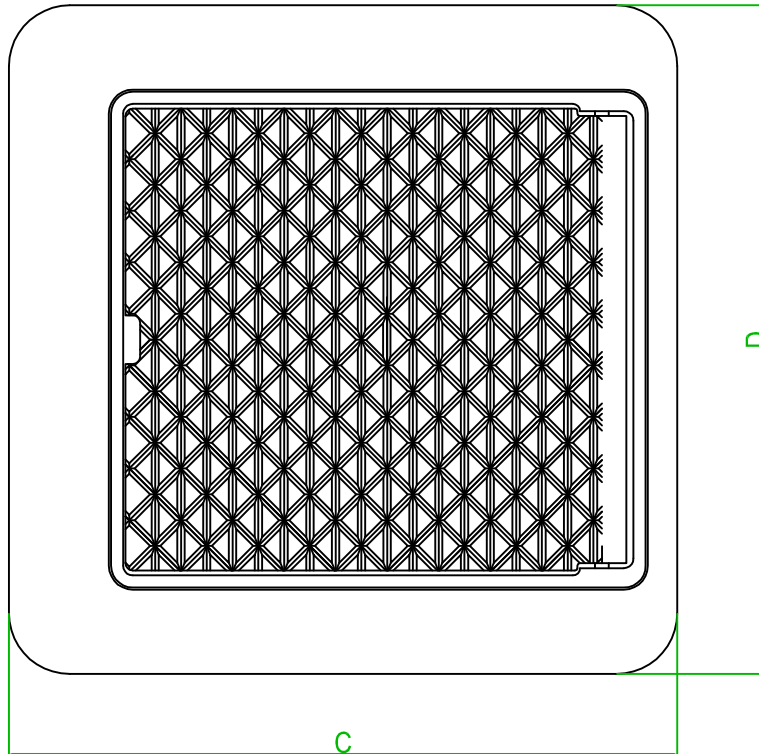
COPYRIGHT and DESIGN RIGHT
 This drawing is the exclusive property of Saint Gobain PAM UK and is confidential and must not be reproduced or disclosed to any third party without written consent.
 It must be used only for the purpose for which it has been issued and is returnable on request.

Produced at Holwell Works in UK



FEATURE	APPLICATION	DRAWN	DATE FIRST ISSUED	DRAWING TITLE	ISSUE
Captive Hinge	Pavement Areas	SPB	16/08/06	HH93 - HH94	5
		SCALE NTS	DATE THIS ISSUE 12/05/11		

The information on this sketch is, to the best of our knowledge correct at the time of printing. However Saint-Gobain are constantly looking at ways of improving their products and services and therefore reserve the right to change, without prior notice, any of the data shown. Any orders placed will be subject to our Standard Conditions of Sale, available on request.



HINGED PAVEMENT SURFACE BOX

USE: Pavements and other pedestrian areas where hinged access is required.
 Hinge Pin material – Stainless Steel

SAP CODE	STANCAD REF	BS5834 PT 2 GRADE	CLEAR OPENING A	BASE SIZE C x D	TOTAL DEPTH E	TOTAL MASS kg
187032	HH96 1	B2H	∅180	275 x 275	60	7.6

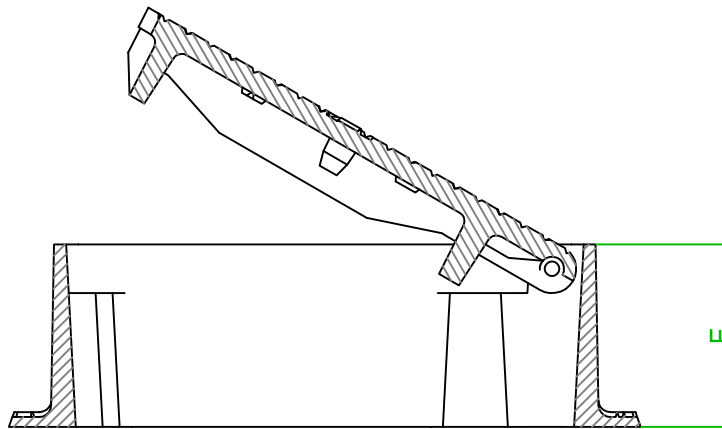
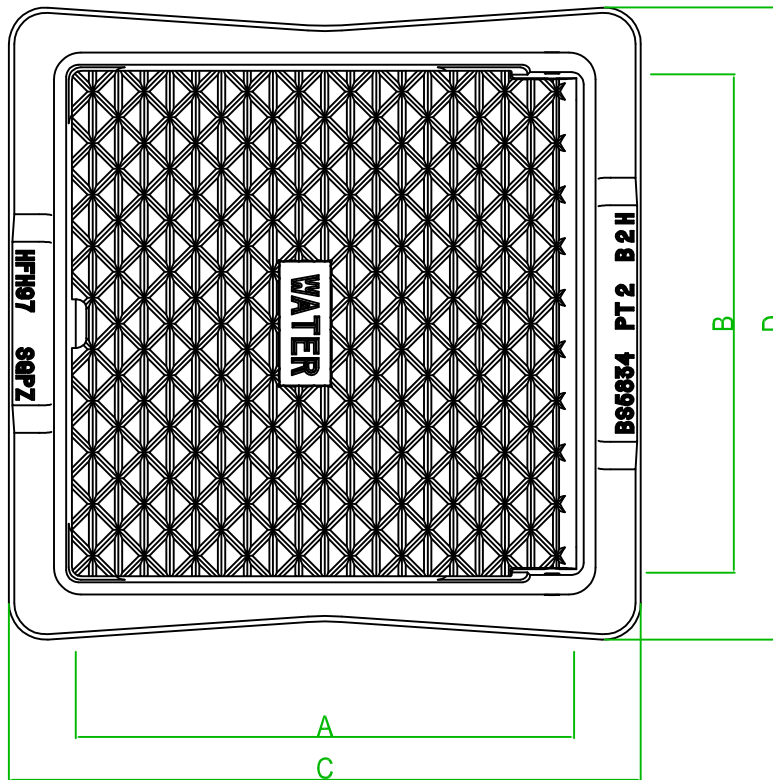
COPYRIGHT and DESIGN RIGHT
 This drawing is the exclusive property of Saint Gobain PAM UK and is confidential and must not be reproduced or disclosed to any third party without written consent.
 It must be used only for the purpose for which it has been issued and is returnable on request.

Produced at Holwell Works in UK



FEATURE	APPLICATION	DRAWN	DATE FIRST ISSUED	DRAWING TITLE	ISSUE
Captive Hinge	Pavement Areas	R.HALL	NOV '99	HH96	8
		SCALE NTS	DATE THIS ISSUE 12/05/11		

The information on this sketch is, to the best of our knowledge correct at the time of printing. However Saint-Gobain are constantly looking at ways of improving their products and services and therefore reserve the right to change, without prior notice, any of the data shown. Any orders placed will be subject to our Standard Conditions of Sale, available on request.



HINGED PAVEMENT SURFACE BOX

USE: Pavements and other pedestrian areas where hinged access is required.
Hinge Pin material – Stainless Steel

SAP CODE	BS5834 PT 2 GRADE	CLEAR OPENING A x B	BASE SIZE C x D	TOTAL DEPTH E	TOTAL MASS kg
205341	B2H	205 x 205	260 x 260	75	8.1

COPYRIGHT and DESIGN RIGHT
This drawing is the exclusive property of Saint Gobain PAM UK and is confidential and must not be reproduced or disclosed to any third party without written consent.
It must be used only for the purpose for which it has been issued and is returnable on request.

Produced at Holwell Works in UK



FEATURE	APPLICATION	DRAWN	DATE FIRST ISSUED	DRAWING TITLE	ISSUE
Captive Hinge	Pavement Areas	SPB	06/06/08	HH97E	5
		NTS	12/05/11		

The information on this sketch is, to the best of our knowledge correct at the time of printing. However Saint-Gobain are constantly looking at ways of improving their products and services and therefore reserve the right to change, without prior notice, any of the data shown. Any orders placed will be subject to our Standard Conditions of Sale, available on request.