

Grating TRANSLINEA D400 / E600

Dimensions of concrete channels and assembly of the gratings.

1. General points :

The TRANSLINEA D400 or E600 gratings can be posed on channels having a rebate realized either with angle fittings or with T section frames.

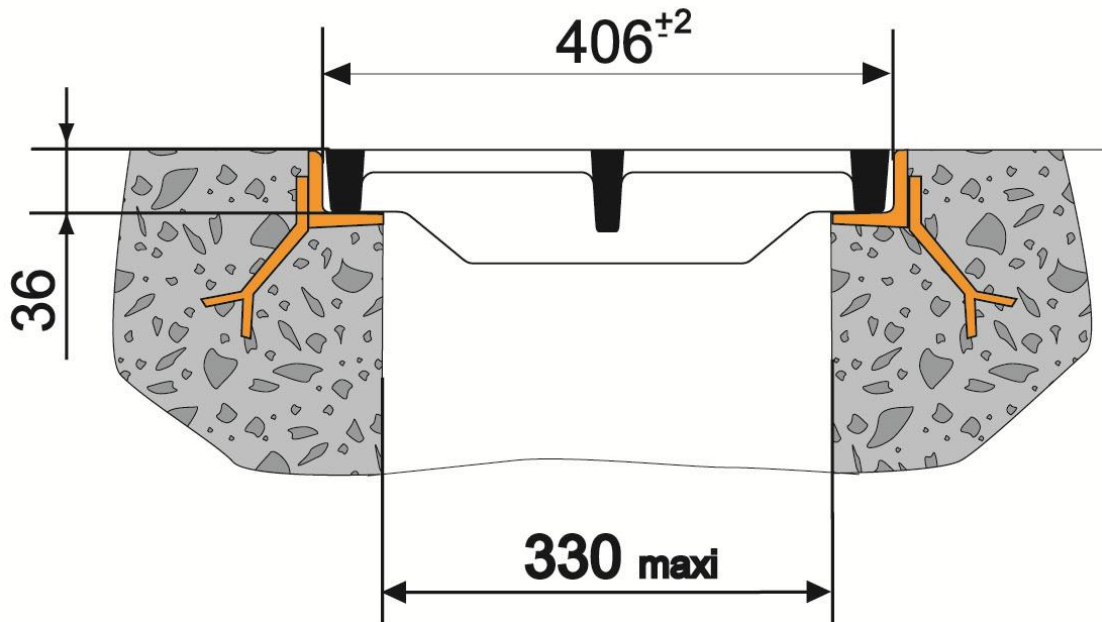
The chaining of this type of grating (between gratings and grating/end pieces) forbids all cuts.

2. Implementation on angle fittings :

Angle fittings with equal wings 40 x 40 ep. 4 in stainless A33 steel.
To plan anchoring legs all 2m.
Planarity between edges 2 mm and linearity 1 mm.
Concrete strength ≥ 10 MPa.

Use of end pieces: *reference E10* [\[Clic\]](#)

And chaining elements: *reference E9* [\[Clic\]](#)



3. Implementation on T section frame :

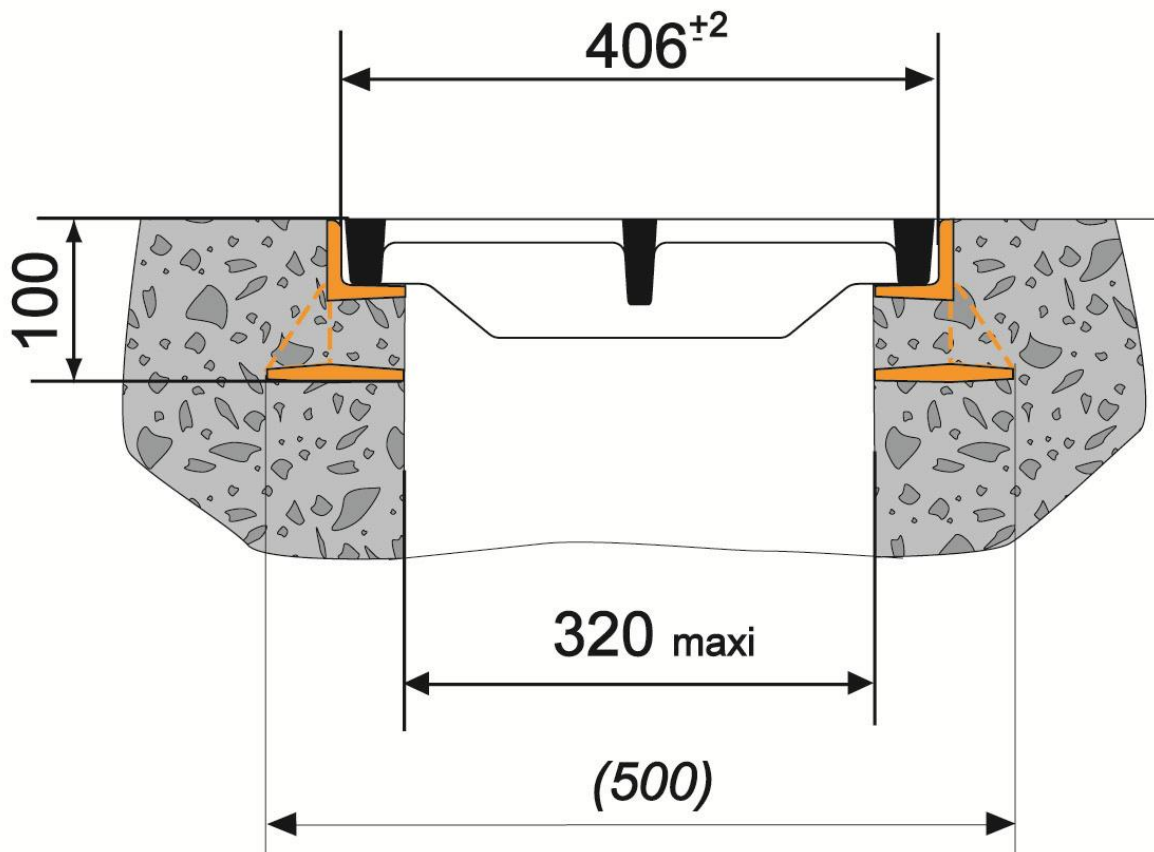
T section frames with planarity between edges 2 mm and linearity 1 mm
Concrete strength ≥ 10 MPa

Use of T section frames,

- length 750 mm for a grating: *reference E7* [\[Clic\]](#)
- length 800 mm for a grating associated with an end piece:
reference E8 [\[Clic\]](#)

End pieces: *reference E10* [\[Clic\]](#)

And chaining elements: *reference E9* [\[Clic\]](#)



4. Assembly :

