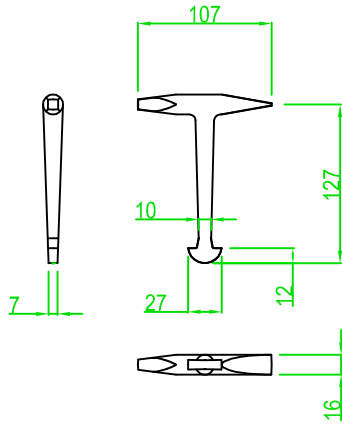
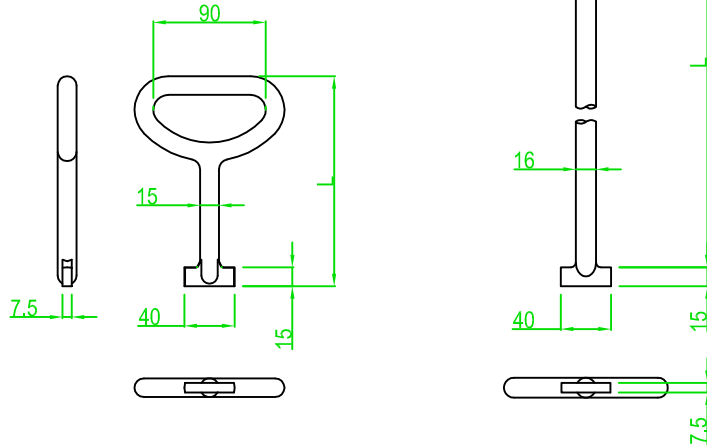


"T" Handled Lifting Key for most light duty
 A15/B125 & Surface Boxes
 (If in doubt ASK)



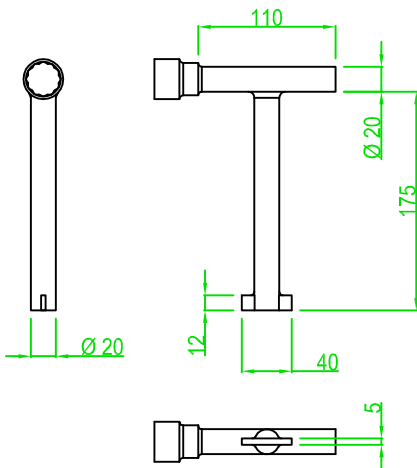
PRODUCT REF. (SAP)	PREVIOUS PRODUCT REF.
C51	RMA 63

Standard Heavy Duty Loop Handled Lifting Key
 for all C250 to F900 Units
 and some B125 & Surface Boxes



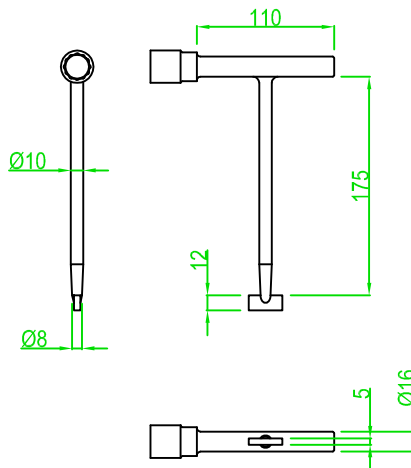
PRODUCT REF. (SAP)	LENGTH (L)	PREVIOUS PRODUCT REF.
C50	168 (6 in)	RMA 62
190666	380 (15 in)	RMA 55
190667	460 (18 in)	RMA 56
190668	610 (24 in)	RMA 57

Standard OPT-Emax Locking/Lifting Key
 (Not SCS Locked)
 Non locked units can use
 Standard Heavy Duty Lifting Keys
 (See Above)



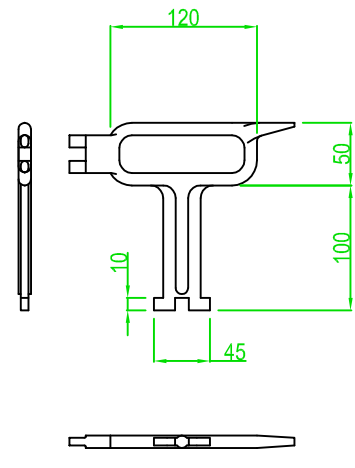
PRODUCT REF. (SAP)	SOCKET SIZE (mm)	PREVIOUS PRODUCT REF.
190664	19	RMA 41
190665	24	RMA 42

UK Akses Locking/Lifting Key



PRODUCT REF. (SAP)	SOCKET SIZE (mm)	PREVIOUS PRODUCT REF.
187099	19	HM405

Aquakerb Locking/Lifting Key



PRODUCT REF. (SAP)	PREVIOUS PRODUCT REF.
191156	S00099

COPYRIGHT and DESIGN RIGHT
 This drawing is the exclusive property of Saint Gobain PAM UK and is confidential and must not be reproduced or disclosed to any third party without written consent. It must be used only for the purpose for which it has been issued and is returnable on request.

DRAWN	DATE FIRST ISSUED	DRAWING TITLE	ISSUE
SPB	01/08/06	LIFTING KEYS	4
SCALE	DATE THIS ISSUE		
NTS	13/05/11		