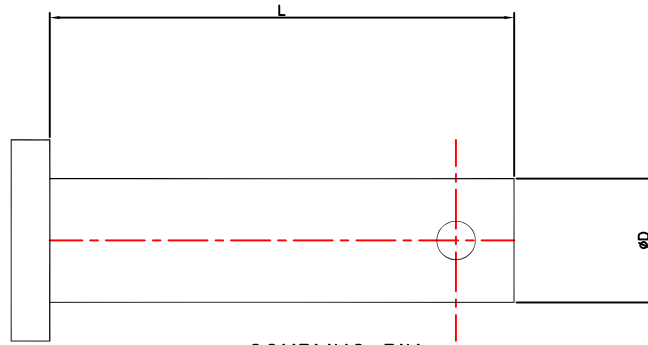
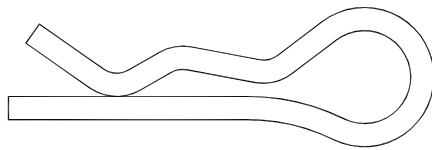


DOUBLE TRIANGULAR COVER AND  
GRATING COUPLING PINS & 'R' CLIPS  
Used to loosely couple units

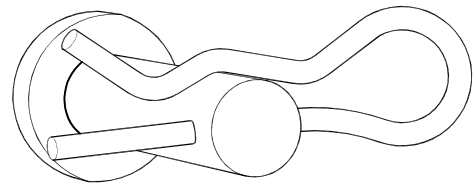
**MBU INFORMATION SHEET**



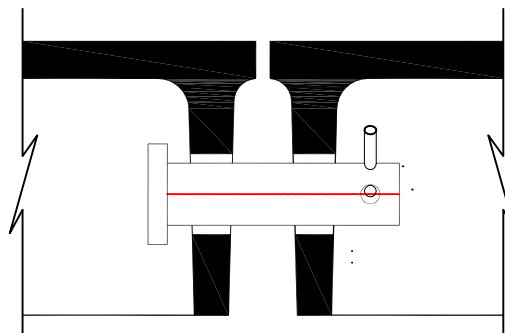
**COUPLING PIN  
MILD STEEL**



**'R' CLIP  
SPRING STEEL  
(Zinc plated & passivated)**



**ASSEMBLY**



**PIN ASSEMBLY IN POSITION**