



611 Potable Water – Single Large Orifice Air Valve

DN50 – 80, PN10/16/25

By offering maximum capacity combined with reduced weight, the 611 large orifice air valve meets all application and installation parameters regardless of piping material. There is a minimum of moving parts to ensure reliability over many years. Suitable for bulk release/ingress of air during filling/draining of the line.



Main features

- Low weight combined with a robust design ensures ease of installation
- High discharge and inflow capacities
- No mechanical linkage ensures valves require minimal maintenance
- All valves coated with fusion bonded epoxy to BS EN 14901
- All fixing bolts stainless steel as standard
- Internals of valves are 100% holiday free
- Supplied with insect mesh as standard to prevent ingress of foreign matter through outlet
- All non-metallic materials are WRAS approved

Options available

- Butterfly valve isolating valve
- Piped outlet
- Bib/drain tap

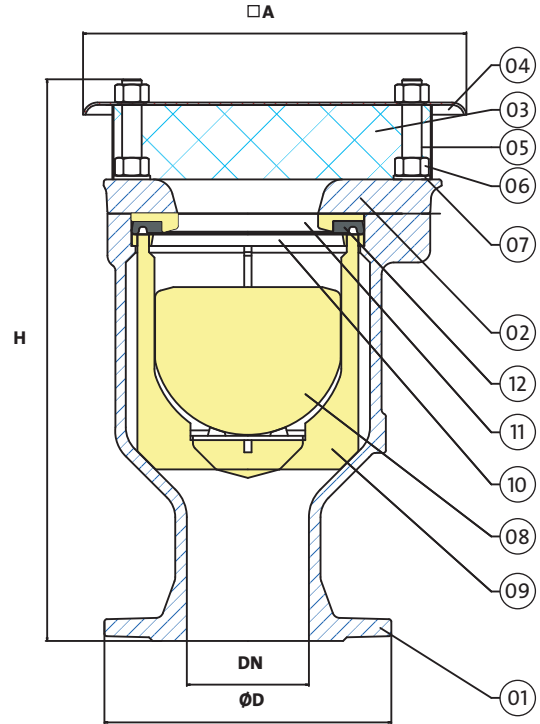
Technical Features

Technical information

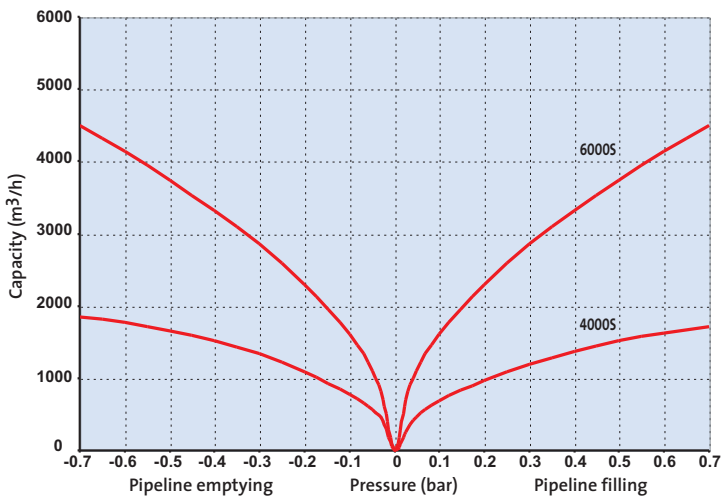
- Fully compliant to BS EN 1074-4
- Maximum operating temperature 90°C
- Minimum operating pressure 0.5 bar

Materials

Item	Quantity	Description	Material
01	01	Body	Ductile iron GS 400-15
02	01	Upper flange	Ductile iron GS 400-15
03	01	Protection grid	Stainless steel AISI 304
04	01	Cover	Stainless steel AISI 304
05	04	Threaded bar	Stainless steel AISI 304
06	08	Nut	Stainless steel Gr. A2-70
07	04	Washer	Stainless steel Gr. A2-70
08	01	Float	ABS
09	01	Float guide	ABS
10	01	Ring	ABS
11	01	Gasket seat	ABS
12	01	Lip seal	EPDM 55



Flow capacity



Dimensions and weights

Type	DN	ØD	□ A	H	Weight
4000S	50/60/65	185	150	275	9
6000S	80	200	220	370	20

Dimensions in mm. Weight in kg. Flanges in accordance with BS EN 1092-2.

Saint-Gobain PAM UK Ltd

Lows Lane, Stanton-by-Dale, Ilkeston, Derbyshire DE7 4QU
 Tel: +44 (0)115 930 5000
 Fax: +44 (0)115 932 9513
 Website: www.saint-gobain-pam.co.uk

The information given in this leaflet is, to the best of our knowledge, correct at the time of going to press. However Saint-Gobain PAM UK are constantly looking at ways of improving their products and services and therefore reserve the right to change, without prior notice, any of the data contained in this leaflet. Please contact our Technical Sales Department for detailed advice.

© 2009 Saint-Gobain PAM UK



Cert. No. 12908