



# 613 Potable Water – Single Small Orifice Air Valve

**¾", 1", DN80, PN16/25**

The 613 automatic degassing air valve is designed to expel air which accumulates during normal operation of the pipeline whilst under pressure.



## Main features

- Low weight combined with a robust design ensures ease of installation
- Minimum number of working parts ensures valves require minimal maintenance
- All valves coated with fusion bonded epoxy to BS EN 14901
- All fixing bolts stainless steel as standard
- All non-metallic materials are WRAS approved

## Options available

- Female threaded inlet as standard
- Ball valve isolating valve
- Ball valve isolating valve and flange
- Inlet flange
- Male threaded inlet
- Piped outlet

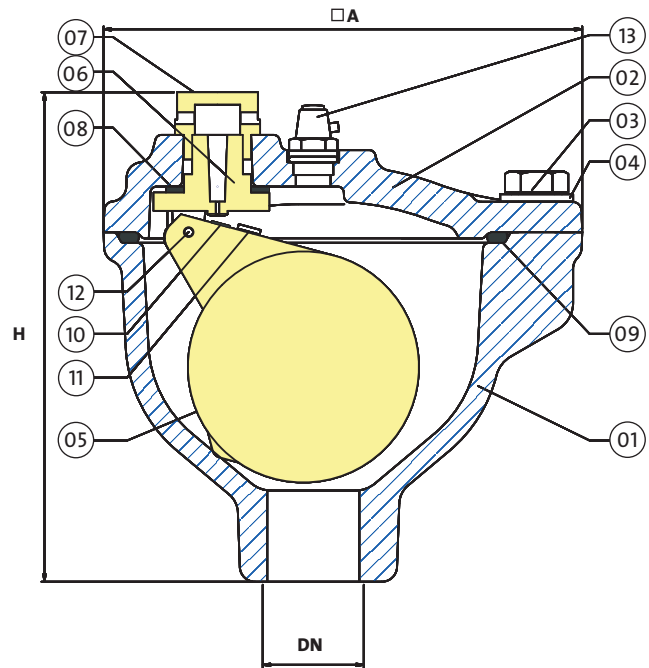
# Technical Features

## Technical information

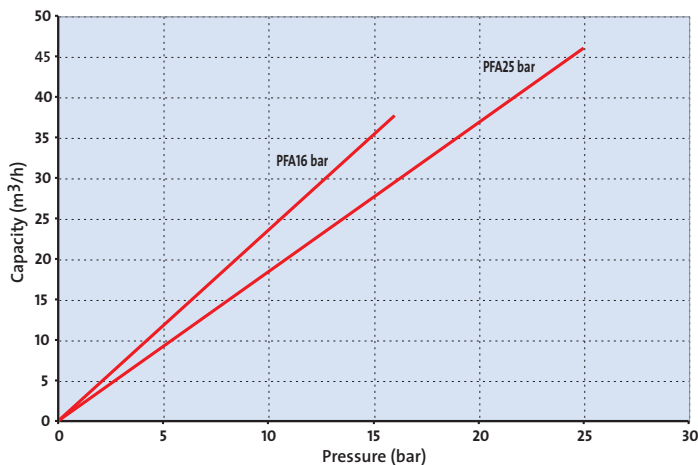
- Fully compliant to BS EN 1074-4
- Maximum operating temperature 90°C
- Minimum operating pressure 0.3 bar

## Materials

Item	Quantity	Description	Material
01	01	Body	Ductile iron GS 400-15
02	01	Cover	Ductile iron GS 400-15
03	04	Bolt	Stainless steel Gr. A2-70
04	04	Washer	Stainless steel Gr. A2-70
05	01	Float	ABS
06	01	Nozzle	ABS
07	01	Cap	ABS
08	01	Gasket	EPDM 55
09	01	'O' ring	EPDM 55
10	01	Gasket	EPDM 55
11	01	Adjusting screw	Stainless steel Gr. A2-70
12	01	Pin	Stainless steel
13	01	Vent valve	Brass



## Flow capacity



## Dimensions and weights

DN	PN	□A	H	Weight
3/4"	25	138	161	4.5
1"	25	138	161	4.5

Dimensions in mm. Weight in kg. Flanges in accordance with BS EN 1092-2.

## Saint-Gobain PAM UK Ltd

Lows Lane, Stanton-by-Dale, Ilkeston, Derbyshire DE7 4QU  
 Tel: +44 (0)115 930 5000  
 Fax: +44 (0)115 932 9513  
 Website: www.saint-gobain-pam.co.uk

The information given in this leaflet is, to the best of our knowledge, correct at the time of going to press. However Saint-Gobain PAM UK are constantly looking at ways of improving their products and services and therefore reserve the right to change, without prior notice, any of the data contained in this leaflet. Please contact our Technical Sales Department for detailed advice.

© 2009 Saint-Gobain PAM UK



Cert. No. 12908