

Eurocheck Non-return Valve

DN80 – 300, PN16 pressure rating

The Eurocheck is a swing check valve manufactured to the requirements of EN 1074-3 for use in both horizontal and vertical systems. An optional lever weight and guard system kit is available for installation on site. Suitable for potable water or sewage applications.



Main features

- Ductile iron body provides high strength to weight ratio. Safety factor in excess of 4
- Stainless steel hinge pin with copper alloy bushes ensures a positive location and the smooth operation of the lever weight valve
- Double 'O' ring contained within the copper alloy bush provides a leak-tight seal
- Resilient seat or metal disc
- Seat tightness acc. EN 12266-1 – grade D
- Valve body coated in WRAS approved blue fusion-bonded epoxy in accordance with EN 14901
- A safety guard is recommended for normal use with lever weight option – please specify at time of ordering
- Standard arrangement is with the lever on the left hand side when facing downstream, but can be changed to 'opposite hand' operation if required. Please specify when ordering
- Lever, weight and guard kit designed for installation on site to improve handling
- Suitable for horizontal or vertical installation

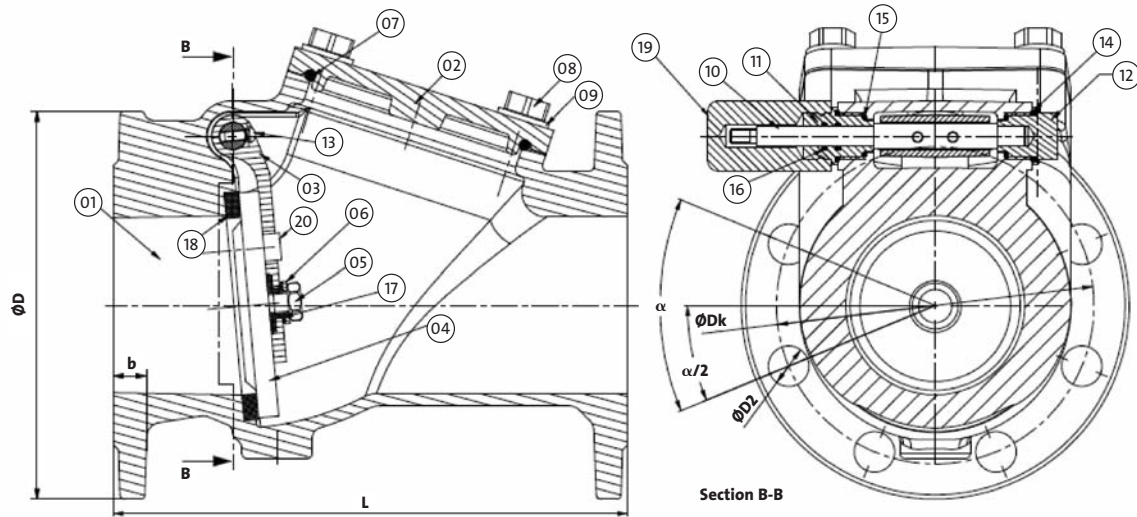
Technical Features

Technical information

Standard: EN 1074-3

Flange drilling: BS EN 1092-2, PN16

Max service temperature: 70°



Materials

Ref	Description	Material
01	Shell	Epoxy coated ductile iron JS 1030 (450/15)
02	Cover	Epoxy coated ductile iron JS 1030 (450/15)
03	Arm	Ductile iron JS 1030 (450/15)
04	Disc	MF stainless steel X20Cr13 RS WRAS approved EPDM coated ductile iron
05/08/13/20	Screw	Stainless steel A2-70
06	Washer	Stainless steel A2-70
07	Gasket	EPDM 80 SH
09	Washer	Stainless steel A2-70
10	Axis	Stainless steel X20Cr13
11/12	Bearing	Brass CW614N
14/15/16	'O' ring	NBR 70SH
17	Rubber pad	NBR 80SH
18	Ring	Brass CW614N
19	Axis cap	Polymer
	Lever	Mild steel
	Weight	Mild steel
	Guard	Mild steel

Dimensions

DN	L	D	W width with lever weight/guard	Mass without lever/weight/ guard kg	Mass with lever/weight/ guard kg
80	241	200	252	16	22
100	292	220	265	21	27
150	356	285	293	41	51
200	495	340	370	85	99
250	622	400	453	125	139
300	698	460	530	160	174

Dimensions in mm.

Saint-Gobain PAM UK Ltd

Lows Lane, Stanton-by-Dale, Ilkeston, Derbyshire DE7 4QU

Tel: +44 (0)115 930 5000

Fax: +44 (0)115 932 9513

Website: www.saint-gobain-pam.co.uk

The information given in this leaflet is, to the best of our knowledge, correct at the time of going to press. However Saint-Gobain PAM UK are constantly looking at ways of improving their products and services and therefore reserve the right to change, without prior notice, any of the data contained in this leaflet. Please contact our Technical Sales Department for detailed advice.

© 2009 Saint-Gobain PAM UK



Cert. No. 12908