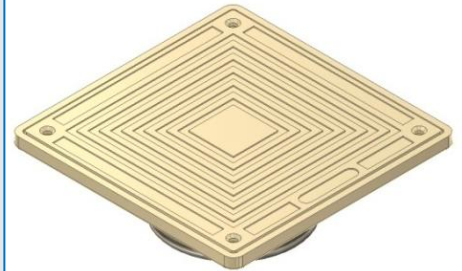
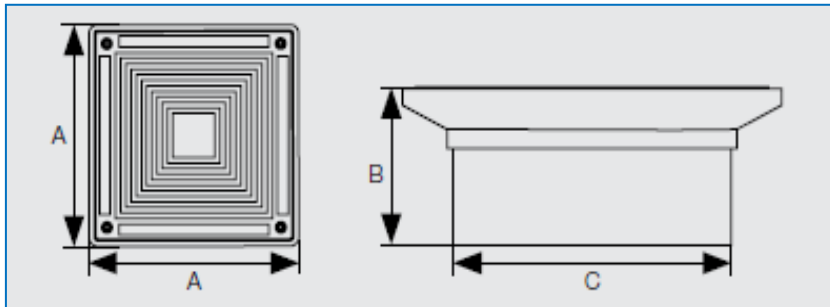




Product Data Sheet

UNICLASS L7315	
Cl/Sfb	(52.6)
March 2014	R1

VX-F055 Square Rodding Eye Nickel Bronze



200x200mm Square Rodding Eyes (NPSM threaded or Direct Fit)

GEN code	Material	FIT	Finish		A	B	C	WTKG
VX-F055	Nickel Bronze	NPSM	Standard 227109	Polished 234191	200	62	110	3.4
VX-F055	Nickel Bronze	Direct Fit	Standard 233431	Polished 234192	200	62	110	3.4

General Description

200 x 200mm square rodding eye with a NPSM thread or plain spigot for direct fit. Supplied in a standard finish or in a polished finish to order.

Technical Specification

Material: Nickel bronze
Loading : K3

Compatible Items

NPSM grating: All cast iron Floor gullies VX-F200, VX-F210, VX-F220, VX-F230
 Raising pieces VX-F350
Direct fit grating: Pipework 110mm OD
 Ensign, EEZI-FIT, Timesaver 416, other materials 110 OD
 Timesaver 437 using a TD02 stepped coupling

Options: Security screws (bag of 4) VX-F420



Saint Gobain PAM
 Lows Lane, Stanton-by-Dale
 Ilkeston, Derbyshire, DE7 4QU
 Sales : 0115 930 0630

Technical T:01952 262 529 F: 01952 262 592
 E: technical.soildrain.uk.pam@saint-gobain.com

* PLEASE NOTE: At the time this data sheet was prepared all the data shown was accurate at the time of release.