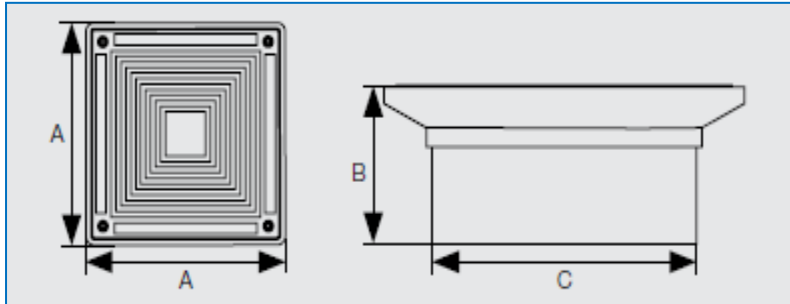




# Product Data Sheet

UNICLASS L7315	
Cl/Sfb	(52.6)
March 2014	R1

## VX-F065 Square Rodding Eye Stainless Steel



### 200x200mm Square Rodding Eyes (NPSM threaded or Direct Fit)

GEN code	Material	FIT	Finish		A	B	C	WTKG
VX-F065	Stainless Steel	NPSM	Standard 227110	Polished 234193	200	62	110	3.1
VX-F065	Stainless Steel	Direct Fit	Standard 233433	Polished 234194	200	62	110	3.1

## General Description

200 x 200mm square rodding eye with a NPSM thread or plain spigot for direct fit. Supplied in a standard finish or in a polished finish to order.

## Technical Specification

**Material:** Stainless steel  
**Loading :** K3

## Compatible Items

**NPSM grating:** All cast iron Floor gullies VX-F200, VX-F210, VX-F220, VX-F230  
 Raising pieces VX-F350

**Direct fit grating:** Pipework 110mm OD  
 Ensign, EEZI-FIT, Timesaver 416, other materials 110mm OD  
 Timesaver 437 using a TD02 stepped coupling

**Options** Security screws (bag of 4) VX-F420



Saint Gobain PAM  
 Lows Lane, Stanton-by-Dale  
 Ilkeston, Derbyshire, DE7 4QU  
 Sales : 0115 930 0630

Technical T:01952 262 529 F: 01952 262 592  
 E: technical.soildrain.uk.pam@saint-gobain.com

\* PLEASE NOTE: At the time this data sheet was prepared all the data shown was accurate at the time of release.