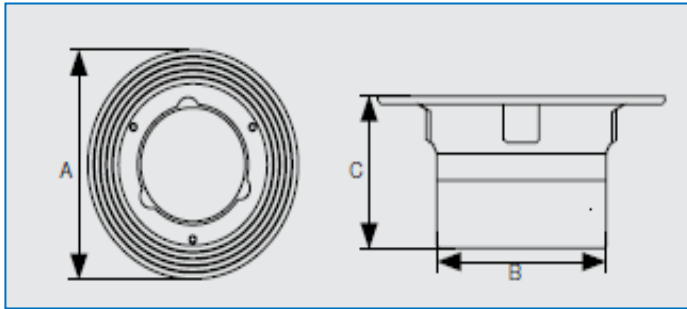




Product Data Sheet

UNICLASS L7315	
Cl/Sfb	(52.6)
March 2014	R1

VX-F200 Medium Sump Body (4" BSP)



Medium Sump Body (Threaded 4" BSP)					
GEN code	SAP code	A	B	C	WTKG
VX-F200	227118	205	121	100	2.6

General Description

Cast iron gully 4" BSP threaded for spigot adaptors, NPSM flange thread and 3 weep holes. Flange can be fixed direct to the floor screed.
 Option - If a trap primer is required, this can be ordered pre drilled and tapped to ½" BSP.
 For pipework less than 110mm connect spigot adaptors using reducing bushes .

Technical Specification

Material: Cast iron – BS EN 1561
Coating: Grey epoxy to an average thickness of 70micron internally / externally

Compatible Items

Gratings / Rodding eyes: VXF010 – VXF085 NPSM thread – Nickel Bronze / Stainless steel
Raising pieces: VX-F350
Clamping ring: VX-F205 (for damp proof membrane)
Reducing bushes: VXF510
Spigot adaptors: VX-F500
Pipework: Ensign, Timesaver 416, other materials to match OD
 Timesaver 437 using TD02 stepped coupling

Flowrate@20mm head

Fitted with gratings/ spigot adaptors = 1.4 to 3.5 L/s (depending on grating available on request)



Saint Gobain PAM
 Lows Lane, Stanton-by-Dale
 Ilkeston, Derbyshire, DE7 4QU
 Sales : 0115 930 0630

Technical T:01952 262 529 F: 01952 262 592
 E: technical.soildrain.uk.pam@saint-gobain.com

* PLEASE NOTE: At the time this data sheet was prepared all the data shown was accurate at the time of release.