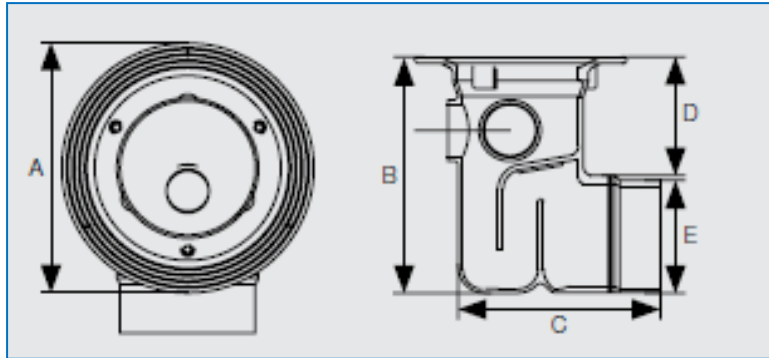




Product Data Sheet

UNICLASS L7315	
Cl/Sfb	(52.6)
March 2014	R1

VX-F220 P Trap



P Trap (110mm outlet)							
GEN code	SAP code	A	B	C	D	E	WTKG
VX-F220	227129	205	230	196	115	110	5.6

General Description

Cast iron P trap with 110mm OD outlet, NPSM flange thread with 3 optional 2" BSP inlets and 1½" BSP cleaning access plug inside for maintenance
Flange can be fixed direct to the floor screed.

Technical Specification

Material: Cast iron – BS EN 1561
Coating: Grey epoxy to an average thickness of 70micron internally / externally
Connection: 110mm OD

Compatible Items

Gratings / Rodding eyes: VXF010 – VXF085 NPSM thread – Nickel Bronze / Stainless steel
Raising pieces: VX-F350
Clamping ring: VX-F205 (for damp proof membrane)
Pipework: Ensign, EEZI-FIT, Timesaver 416, other materials 110mm OD
 Timesaver 437 using a TD02 stepped coupling

Flowrate@20mm head

Flowrate through gully fitted with various gratings = 2.0 L/s



Saint Gobain PAM
 Lows Lane, Stanton-by-Dale
 Ilkeston, Derbyshire, DE7 4QU
 Sales : 0115 930 0630

Technical T:01952 262 529 F: 01952 262 592
 E: technical.soildrain.uk.pam@saint-gobain.com

* PLEASE NOTE: At the time this data sheet was prepared all the data shown was accurate at the time of release.