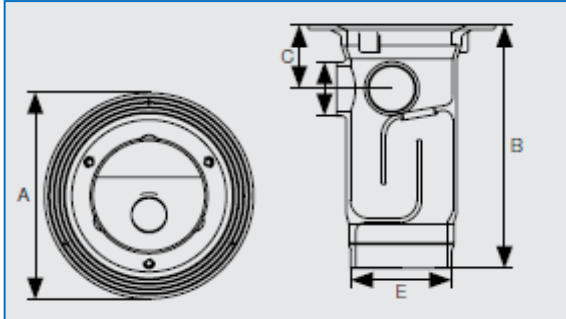




Product Data Sheet

| | |
|----------------|--------|
| UNICLASS L7315 | |
| Cl/Sfb | (52.6) |
| March 2014 | R1 |

VX-F230 S Trap



S Trap (110mm outlet)

| GEN code | SAP code | A | B | C | D | E | WTKG |
|----------|----------|-----|-----|----|----|-----|------|
| VX-F230 | 227130 | 205 | 295 | 72 | 60 | 110 | 5.6 |

General Description

Cast iron S trap with 110mm OD outlet, NPSM flange thread with 3 optional 2" BSP inlets and 1½" BSP cleaning access plug inside for maintenance
Flange can be fixed direct to the floor screed.

Technical Specification

Material: Cast iron – BS EN 1561
Coating: Grey epoxy to an average thickness of 70micron internally / externally
Connection: 110mm OD

Compatible Items

Gratings / Rodding eyes: VX-F010 – VX-F085 NPSM thread – Nickel Bronze / Stainless steel
Raising pieces : VX-F350
Clamping ring : VX-F205 (for damp proof membrane)
Pipework: Ensign, EEZI-FIT, Timesaver 416, other materials 110mm OD
Timesaver 437 using a TD02 stepped coupling

Flowrate@20mm head

Flowrate through gully fitted with various gratings = 1.7 L/s



Saint Gobain PAM
Lows Lane, Stanton-by-Dale
Ilkeston, Derbyshire, DE7 4QU
Sales : 0115 930 0630

Technical T:01952 262 529 F: 01952 262 592
E: technical.soildrain.uk.pam@saint-gobain.com

* PLEASE NOTE: At the time this data sheet was prepared all the data shown was accurate at the time of release.