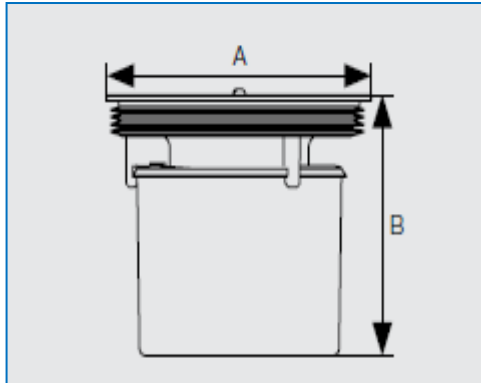




Product Data Sheet

UNICLASS L7315	
Cl/Sfb	(52.6)
March 2014	R1

VX-F400 Removable Bottle Trap



50mm Removable Bottle Trap (patent pending)

GEN code	SAP code	Material	A	B	WTKG
VX-F400	227128	ABS	111	92	0.1

General Description

50mm removable bottle trap (registered design). Design incorporates a twist lock fitting of dip tube and cup. The fastening operation is simplified and robust and being manufactured from ABS the bottle trap offers excellent chemical resistance.

The bottle trap is for use for all VortX gratings in nickel bronze and stainless steel and with cast iron shower bodies.

Technical Specification

Material: ABS

Compatible Items

Gratings Nickel bronze: VXF010, VX030, VX-F050, VX-F070
Gratings Stainless steel: VX-F020, VX-F040, VX-F060, VX-F080
Cast iron shower bodies: VX-S260, VX-S261

Flowrate@20mm head

Gullies and gratings fitted with bottle trap – available on request



Saint Gobain PAM
 Lows Lane, Stanton-by-Dale
 Ilkeston, Derbyshire, DE7 4QU
 Sales : 0115 930 0630

Technical T:01952 262 529 F: 01952 262 592
 E: technical.soildrain.uk.pam@saint-gobain.com

* PLEASE NOTE: At the time this data sheet was prepared all the data shown was accurate at the time of release.