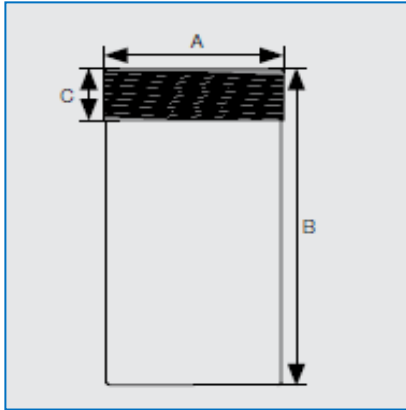




Product Data Sheet

UNICLASS L7315	
Cl/Sfb	(52.6)
March 2014	R1

VX-F500 Spigot Adaptors



Spigot Adaptor (BSP)						
Gen code	SAP code	Size	A	B	C	WTKG
VX-F500	227131	110 to 4" (BSP)	110	215	35	2.7
VX-F500	234204	80 to 3" (BSP)	80	215	27	2.1
VX-F500	234205	60 to 2" (BSP)	60	215	27	1.3
VX-F500	234206	56 to 2" (BSP)	56	215	27	1.1

General Description

Cast iron spigot adaptors, BSP threaded to connect to 4" BSP medium sump body utilising reducing bushes for 3" and 2" BSP sizes

The adaptors provide additional extension and allow connection to cast iron, plastic and other pipework material.

Technical Specification

Material: Cast iron – BS EN 1561
Coating: Grey epoxy to an average thickness of 70micron internally / externally

Compatible Items

Cast iron body 4" BSP: VXF200
Cast iron reducing bushes: VX-F510
All pipe systems: OD 110, 80, 60, and 56



Saint Gobain PAM
 Lows Lane, Stanton-by-Dale
 Ilkeston, Derbyshire, DE7 4QU
 Sales : 0115 930 0630

Technical T:01952 262 529 F: 01952 262 592
 E: technical.soildrain.uk.pam@saint-gobain.com

* PLEASE NOTE: At the time this data sheet was prepared all the data shown was accurate at the time of release.