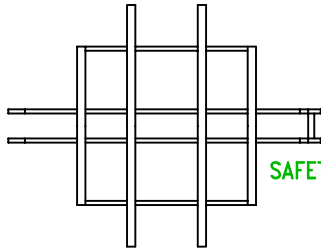
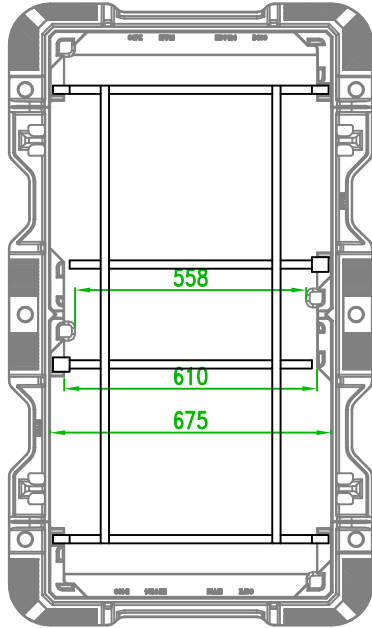
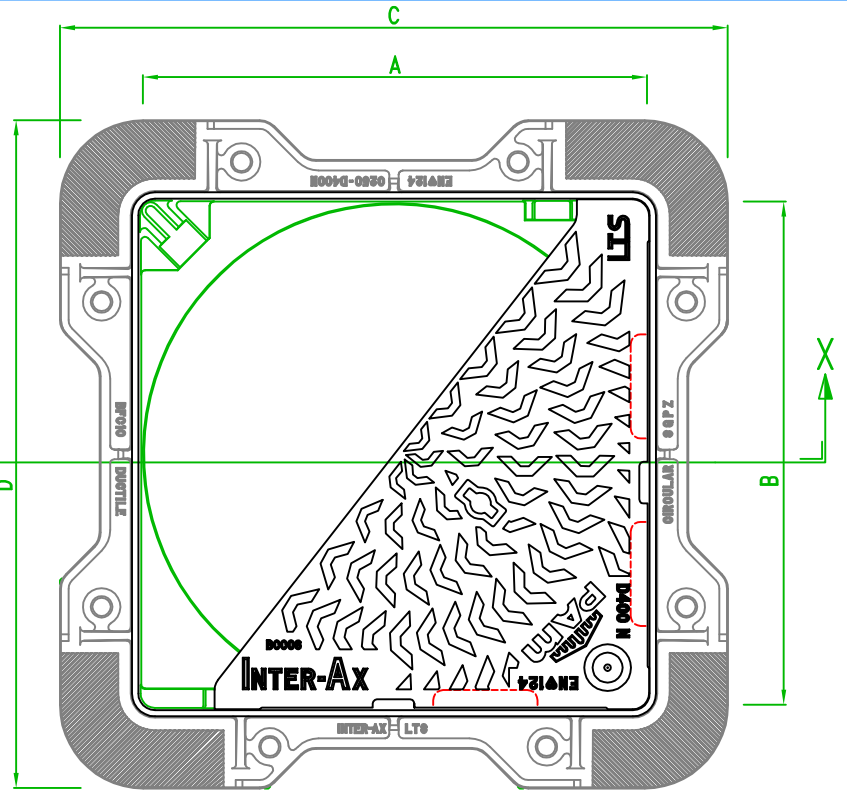


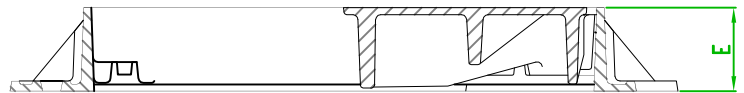
BC78/81/82 FRAME WITH SAFETY GRID (187116)



SAFETY GRID (187106)  
FOR BC06



PLAN - 185799  
SAFETY GRID 187104 (NOT SHOWN)



SECTION X-X 185799

HALF COVER ISOLATED LIFTING AVAILABLE ONLY ON CASTLES WHERE INDICATED BELOW.  
ISOLATED LIFTING WILL HAVE BOTH HALF COVERS LIFTED.

PRODUCT REFERENCE						BS EN124 CLASS	CLEAR OPENING (A x B)##	OVER BASE (C x D)	DEPTH (E)	VENTILATED COVERS	MASS OF COVER kg.*	TOTAL MASS kg.	BEARING PRESSURE N/sq. mm.	PALLET QUANTITY
SAP CODE	STANCAD CODE	SAP CODE FOR SECURITY OPTION **	SAP CODE FOR MSG SAFETY GRID OPTION	SAP CODE FOR BOLT DOWN MSG SEAL PLATE OPTIONS ***										
				STANDARD	SECURITY									
CDIA45MF	BC00 1	185770				D400	450 x 450	600 x 600	100	NO	32	52	1.86	20
185775	BC02 1	185776				D400	600 x 450	800 x 650	100	NO	42	71	2.22	10
196936	BC06 1~	185789	185788			D400	600 x 600	800 x 800	100	NO	50	83	1.86	10
185796	BC08 1	185797				D400	600 x 600	800 x 800	100	YES	49	82	1.86	10
185799	BC10 1	185801	TBC	185800	185802	D400	600 Dia	800 x 800	100	NO	50	87	1.86	10
185806	BC12 1		TBC			D400	600 Dia	800 x 800	100	YES	49	86	1.86	10
185813	BC22 1~	185814				D400	675 x 675	830 x 850	100	NO	70	107	1.82	10
185821	BC24 1	185822				D400	675 x 675	830 x 850	100	YES	69	106	1.82	10
206826	BC26 1	211988				D400	675 Dia	830 x 830	100	NO	70	108	1.82	14
TBC	BC28 1	TBC				D400	675 Dia	800 x 830	100	YES	69	107	1.82	14
185836	BC38 1	185837				D400	750 x 600	950 x 800	100	NO	70	106	1.72	5
185847	BC46 1	185848				D400	750 x 750	1005 x 1005	100	NO	47.5	151	1.25	5
185854	BC48 1	185855				D400	750 x 750	1005 x 1005	100	YES	47	150	1.25	5
185857	BC54 1	185858				D400	900 x 600	1100 x 800	100	NO	44	131	1.64	5
185867	BC57 1	185868				D400	900 x 600	1100 x 800	100	YES	43	129	1.64	5
185870	BC66 1	185871				D400	910 x 900	1163 x 1155	125	NO	74	223	1.01	5
185874	BC78 1	185876	185875			D400	1250 x 675#	1500 x 878	100	NO	70	201	1.07	5
185889	BC81 1	185890	TBC			D400	1250 x 675#	1500 x 878	100	YES	69	199	1.07	5
215534	BC82 1		TBC			D400	1310 x 675#	1500 x 878	100	NO	70	197	1.19	5

~ STANDARD UNITS NOW SUPERSEDED BY BC06 1 & BC22 1 (INTER-A2) RESPECTIVELY

\* ☑ MASS OF 2 HALF COVERS LOOSELY BOLTED TOGETHER.

☐ HALF COVERS NOT COMPLETED. MASS OF ONE HALF COVER ONLY.

\*\* SECURED WITH ONE C/S HEX DRIVE S/S PER HALF COVER

\*\*\* BOLT DOWN MSG SEAL PLATE IS SUITABLE FOR 10IT PRESSURE OF 0.0 BAR

# MINIMUM DISTANCE BETWEEN SEATINGS 55MM AT CENTRE

## MAX DIMENSIONS. NB COVER SEATINGS INTRUDE INTO THIS SIZE AT CORNERS.

CONTACT US FOR SPECIFIC INFORMATION.

USE LIFTING KEY(S):

190668 (RMA57) 610mm LONG  
190667 (RMA56) 467mm LONG  
190666 (RMA55) 381mm LONG  
C50 (RMA62) 152mm LONG



COPYRIGHT and DESIGN RIGHT

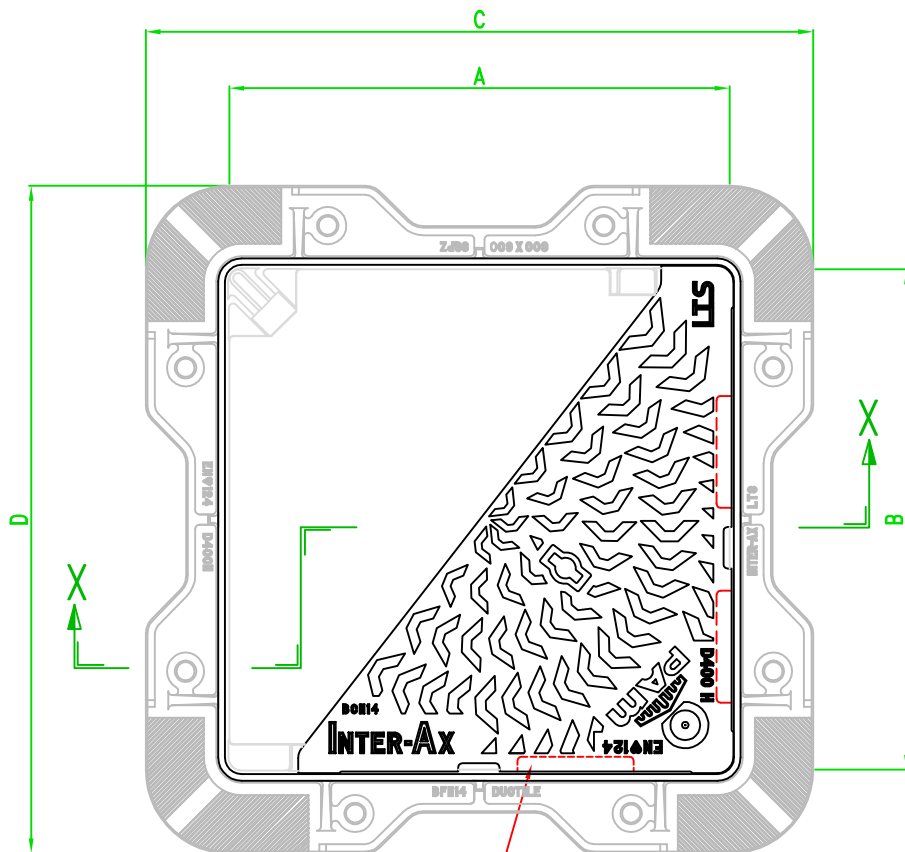
This drawing is the exclusive property of Saint Gobain PAM UK and is confidential and must not be reproduced or disclosed to any third party without written consent. It must be used only for the purpose for which it has been issued and is returnable on request.

Produced at Holwell  
Works in UK

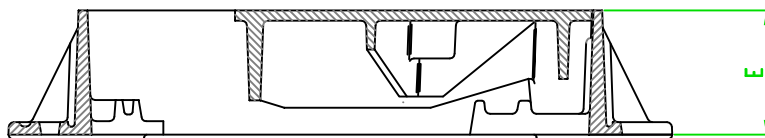


FEATURE	CLASS	APPLICATION	GROUP	KITEMARK	DRAWN	DATE FIRST ISSUED	DRAWING TITLE	ISSUE
LTS	EN124 D400		4		R. HALL	25/07/97	INTER-AX N	44
					SCALE NTS	DATE THIS ISSUE 03/01/14		

The information on this sketch is, to the best of our knowledge correct at the time of printing. However Saint-Gobain are constantly looking at ways of improving their products and services and therefore reserve the right to change, without prior notice, any of the data shown. Any orders placed will be subject to our Standard Conditions of Sale, available on request.



HALF COVER INDICATES VENTILATION, AVAILABLE ONLY ON CASTINGS WHERE INDICATED BELOW.  
VENTILATED VERSIONS WILL HAVE BOTH HALF COVERS SLOTTED. SLOT SIZES 20MM X 135MM  
TOTAL VENT AREA APPROX 150 Sq. cm.



SECTION X-X

INTER-AX D400 H

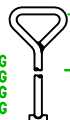
PRODUCT REFERENCE			BS EN124 CLASS	CLEAR OPENING (A x B)	OVER BASE (C x D)	DEPTH (E)	VENTILATED COVER	MASS OF COVER kg*	TOTAL MASS kg	BEARING PRESSURE N/mm <sup>2</sup>	PALLET QUANTITY
SAP CODE	STANCAD REF.	SAP CODE FOR SECURITY OPTION **									
185928	BH14 1	185929	D400	600 x 600	800 x 800	150	NO	55	104	1.72	10
185935	BH16 1	185936	D400	600 x 600	800 x 800	150	YES	54	103	1.72	10

\* WEIGHT OF TWO HALF COVERS LOOSELY COUPLED TOGETHER.

\*\* SECURED WITH ONE C/S HEX DRIVE S/S BOLT PER HALF COVER

USE LIFTING KEY(S):

190668 (RMA57) 610mm LONG  
190667 (RMA56) 467mm LONG  
190666 (RMA55) 381mm LONG  
C50 (RMA62) 152mm LONG



COPYRIGHT and DESIGN RIGHT  
This drawing is the exclusive property of Saint Gobain PAM UK and is confidential and must not be reproduced or disclosed to any third party without written consent.  
It must be used only for the purpose for which it has been issued and is returnable on request.

Produced at Holwell Works in UK



FEATURE	CLASS	APPLICATION	GROUP	KITEMARK	DRAWN R.HALL	DATE FIRST ISSUED 15/06/98	DRAWING TITLE	ISSUE
LTS	EN124 D400 H		4		SCALE NTS	DATE THIS ISSUE 02/07/15	INTER-AX H	21

The information on this sketch is, to the best of our knowledge correct at the time of printing. However Saint-Gobain are constantly looking at ways of improving their products and services and therefore reserve the right to change, without prior notice, any of the data shown. Any orders placed will be subject to our Standard Conditions of Sale, available on request.