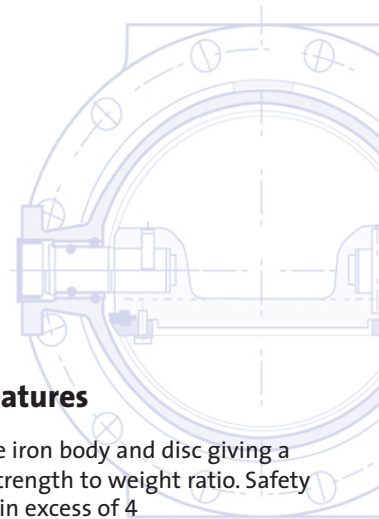
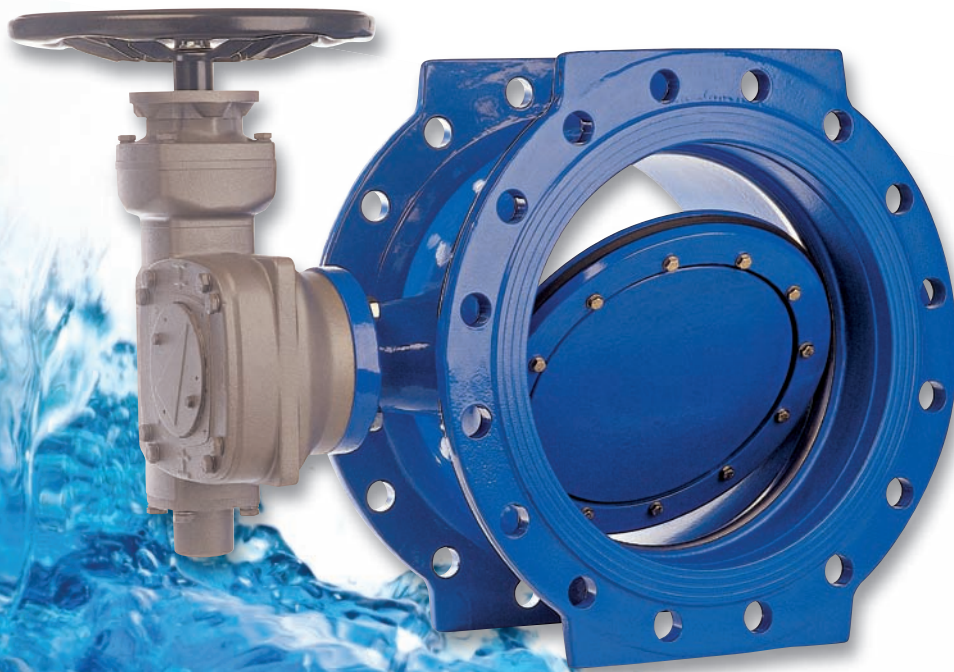


Eurostop Butterfly Valve

Eurostop Butterfly Valves are used as isolating devices on pipelines, waterworks and hydroelectric plants. They have a low head loss in the fully open position and a perfectly watertight seal in the fully closed position.

Eurostop Butterfly Valves are available in different configurations: manual, for buried service, motorized and motorizable, in a range of sizes from DN150 to DN2000.



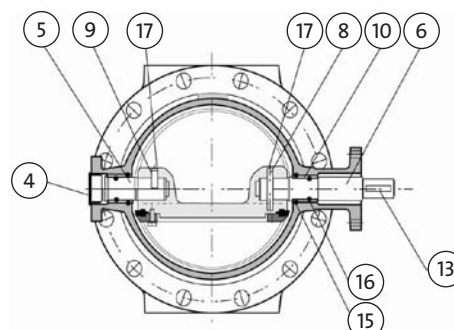
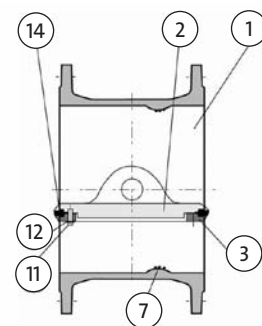
Main features

- Ductile iron body and disc giving a high strength to weight ratio. Safety factor in excess of 4
- Stainless steel shafts, seat and bolts ensure the long-term smooth, corrosion-free operation of the valve
- Sealing seat in 316L stainless steel cold rolled into place
- Double eccentricity of the disc leads to lower operating torque and gasket drag
- Valve complies with EN 1074 – 1 and 2, EN 593 and ISO 10631
- Flange drilling to EN 1092-2
- Valve body coated in WRAS approved blue fusion – bonded epoxy in accordance with EN 14901
- Available in PN10, PN16 and PN25 versions
- Available as manual, for buried service, motorized and/or motorizable

Technical Features

Materials and coatings

Ref	Description	Material	Coating
1	Body	Ductile iron GS500-7	Epoxy powder min. thickness 250 micron
2	Disc	Ductile iron GS500-7	Epoxy powder min. thickness 250 micron
3	Retaining ring	Carbon steel S235JR	–
4	Cover	LD polythene blue	–
5	Rear shaft	Stainless steel AISI 420B	–
6	Drive shaft	Stainless steel AISI 420B	–
7	Seat ring	Stainless steel AISI 316L	–
8	Cylindrical pin	Stainless steel AISI 630	–
9	Cylindrical pin	Stainless steel AISI 630	–
10	Bearing	Bronze GCuSn12	–
11	Screw	Stainless steel Gr. A2-70	–
12	Spring washer	Stainless steel Gr. A2-70	–
13	Shaft key	Steel C40	–
14	Gasket	EPDM	–
15-16	'O' ring	EPDM	–
17	Retaining ring	Stainless steel Gr. A2-70	–



Manufacturing tests

Every butterfly valve is subjected to hydraulic final test with the purpose of verifying conformance with the requirements of EN 1074 1 and 2, and ISO 5208: Body test at 1.5 times the PFA (open valve); Seat test at 1.1 times the PFA (closed valve).

In addition, the operational torque requirements (MOT and mST) as defined in EN1074 are verified.

Manual Version

Dimensions

DN	G	H	I	J	K	L	M	D	R	Weight (kg)
150	210	215	136	164	143	50	150	285	100	35
200	230	240	165	164	170	50	180	340	100	46
250	250	292	208	164	200	50	230	400	100	67
300	270	321	232	201	228	63	250	455	125	88
350	290	340	272	201	260	63	260	520	125	132
400	310	407	310	206	290	80	310	580	125	170
450	330	427	330	206	320	80	340	640	125	207
500	350	470	355	248	358	100	320	715	175	265
600	390	550	438	334	420	100	300	840	175	414
700	430	627	508	340	455	125	440	910	175	543
800	470	713	602	415	513	160	480	1025	175	823
900	510	764	653	415	563	160	570	1125	175	1021
1000	550	815	748	545	628	200	620	1255	175	1432
1200	630	950	852	622	743	250	750	1485	250	2357
1400	710	1125	973	755	843	315	850	1685	250	3590
1500	750	1156	1077	755	933	315	900	1865	250	4281
1600	790	1229	1119	755	965	315	950	1930	250	4916
1800	870	1431	1272	848	1065	400	1000	2130	400	6974
2000	950	1526	1367	848	1173	400	1050	2345	400	8353

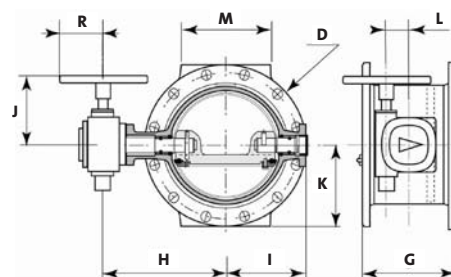
Dimensions in mm.

Saint-Gobain PAM UK Ltd

Lows Lane, Stanton-by-Dale, Ilkeston, Derbyshire DE7 4QU
 Tel: +44 (0)115 930 5000
 Fax: +44 (0)115 932 9513
 Website: www.saint-gobain-pam.co.uk

The information given in this leaflet is, to the best of our knowledge, correct at the time of going to press. However Saint-Gobain PAM UK are constantly looking at ways of improving their products and services and therefore reserve the right to change, without prior notice, any of the data contained in this leaflet. Please contact our Technical Sales Department for detailed advice.

© 2009 Saint-Gobain PAM UK



Accessories

Eurostop Butterfly Valves may be adapted to different installation requirements. For instance, they can be equipped with accessories to be used in conjunction with control devices:

- Manual pillar with extension spindle
- Underground equipment

Hydraulic information, overall dimension data concerning PN10 and PN25 models, and instructions for use and maintenance are available upon request.



Cert. No. 12908