

PRODUCT DATASHEET

Ensign

RECOMMENDED USE:

The all stainless steel coupling has a number of advantages compared to similar couplers. It has two specific parts making this coupler unique. A patented seal that eliminates the risk of leakage and a special shaped anchoring grip ring, which ensures a reliable, restraint connection.

Moreover it can be installed fast and thanks to the wide range, it can effortlessly connect different types of pipes with various outside diameters.

PAM have simplified the selection process by having one high grade specification for all applications. By utilising peroxide cured EPDM gaskets the PAM couplings can operate at higher temperatures of up to 125° C

The coupling offers you an easy to install, time saving and money saving solution.



TECHNICAL SPECIFICATION:

STANDARD: BS EN 877: 1999/AC: 2008

STEEL CASING: 1.4571/316 Ti

STEEL BARS: 1.4571/316 Ti

BOLTS: A4-80/316 Ti

ANCHORING RINGS (GRIP): 1.4310/301

GASKET MATERIAL: Peroxide Cured EPDM Rubber BS EN 6920

TEMPERATURE RANGE: -30°C UP TO +125°C

COUPLING DEFLECTION: +/-3°

SYSTEM FIRE RATING: A1

PRODUCT MARKINGS:

EAN CODE: 1

TYPE: PAM FLEX/GRIP: 2

GEN CODE: 3

DIAMETER: 4

GASKET TYPE: 5

TORQUE RATING: 6


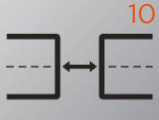
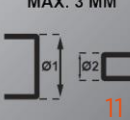
PRESSURE RATING: 7

NOTE GUIDANCE: 8

QR CODE TO DATASHEET: 9

JOINTING DIFFERENCE: 10

DIAMETER TOLERANCE: 11

BS EN 877		269452		PAM SAINT-GOBAIN	
EAN: 3615601942764 1		PAM FLEX 2		EC002HP 3	
ID: 4191185					
Ø MM 4 109 112	5 EPDM -30°C UP TO +125°C	6 TORQUE 10 Nm 7,4 ft-lb	7 10 BAR 145 psi		
EPDM PEROXIDE CURED COMPLETE STAINLESS STEEL AISI 316					
8 MUST BE RESTRAINED TO PREVENT MOVEMENT					
9 DATASHEET 	10 0-30 MM 	11 Ø1 - Ø2 MAX. 3 MM 			

PAM
SAINT-GOBAIN

Saint-Gobain PAM UK

Tel: 0115 930 5000

www.saint-gobain-pam.co.uk

Email: technical.soildrain.uk.pam@saint-gobain.com

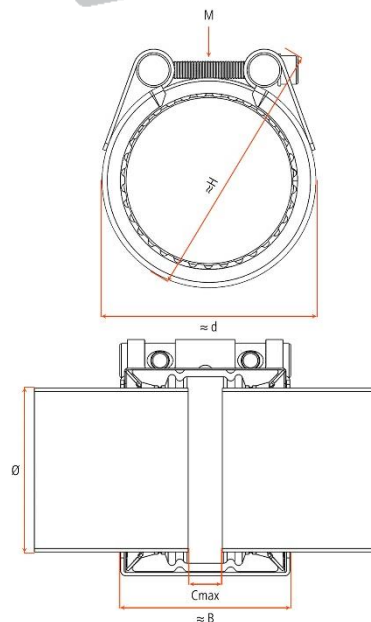
EC002HP STAINLESS STEEL HIGH-PERFORMANCE COUPLING

ISSUE NO: 1

DATE:

31/07/19

Manufactured to the highest Quality, Environmental and Health and Safety standards.



BS EN 877 269441
 EAN: 3615601942665 PAM GRIP
 ID: 4191185 EC002HP-G


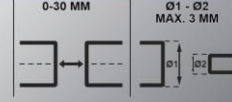
PAM
 SAINT-GOBAIN

Ø MM 109 112	EPDM -30°C UP TO +125°C	TORQUE 40 Nm 29.5 ft lb	10 BAR 145 psi
--------------------	-------------------------------	-------------------------------	-------------------

EPDM PEROXIDE CURED
 COMPLETE STAINLESS STEEL AISI 316

METAL SYSTEMS ONLY - DOES NOT REQUIRE RESTRAINT

DATASHEET 0-30 MM Ø1 - Ø2 MAX. 3 MM

EC002HP-G: STAINLESS STEEL HIGH PERFORMANCE PAM GRIP COUPLING

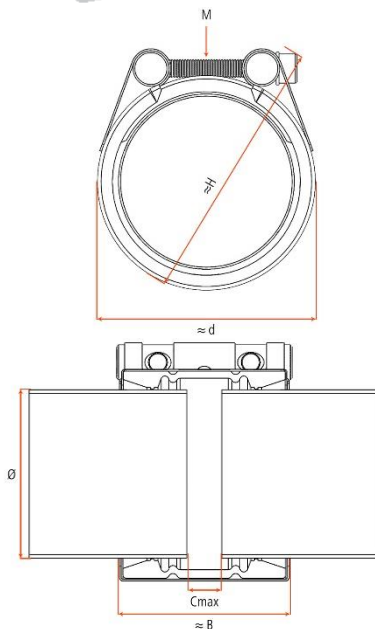
SAP CODE	COUPLING DIMENSIONS NOT FITTED						WEIGHT (kg)	TORQUE RATE (Nm)	PRESSURE RATING Bar
	DIA	B	C (max)	d	H	M			
269439	50	75	25	85	125	M8	0.60	25	10
269440	70	95	30	108	164	M10	1.00	40	10
269441	100	95	30	141	187	M10	1.10	40	10
269442	150	110	40	205	255	M12	2.30	65	10
269443	200	140	40	249	275	M16	5.57	160	10
269444	250	140	40	314	340	M16	6.47	160	10
269445	300	140	40	366	392	M16	7.19	160	10
269446	400	142	40	473	499	M16	10.26	160	10
269447	500	146	40	575	603	M16	16.94	160	6
269448	600	146	40	683	711	M16	19.64	160	6


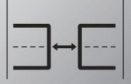
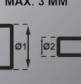
- PRESSURE RATING IS BASED ON PIPE BEING UNRESTRAINED (NOT ANCHORED)

The information on this datasheet is, to the best of our knowledge correct at the time of printing. However Saint-Gobain are constantly looking at ways of improving their products and services Therefore reserve the right to change without prior notice, any of the data shown. Any orders places will be subject to our Standard Conditions of Sale, available on request.

COPYRIGHT AND DESIGN RIGHT

This drawing is the exclusive property of Saint-Gobain PAM UK and is confidential and must not be reproduced or disclosed for any third party without written consent. It must be used only for the purpose for which it has been issued and is returnable on request.



BS EN 877		269452	
EAN: 3616601942764		PAM FLEX	
ID: 4191186		EC002HP	
Ø MM	EPDM	TORQUE	10 BAR
109 112	-30°C UP TO +125°C	10 Nm 7.4 ft-lb	145 psi
EPDM PEROXIDE CURED COMPLETE STAINLESS STEEL AISI 316			
MUST BE RESTRAINED TO PREVENT MOVEMENT			
DATASHEET	0-30 MM	Ø1 - Ø2 MAX. 3 MM	
			

EC002HP: STAINLESS STEEL HIGH PERFORMANCE PAM FLEX COUPLING

SAP CODE	COUPLING DIMENSIONS NOT FITTED						WEIGHT (kg)	TORQUE RATE (Nm)	PRESSURE RATING Bar
	DIA	B	C (max)	d	H	M			
269450	50	75	25	85	125	M8	0.60	5	10
269451	70	95	30	108	164	M10	1.00	10	10
269452	100	95	30	141	187	M10	1.10	10	10
269453	150	110	40	205	255	M12	2.30	30	10
269454	200	140	40	249	287	M16	5.57	30	10
269455	250	140	40	314	340	M16	6.47	30	10
269456	300	140	40	366	392	M16	7.19	30	10
269457	400	142	40	473	499	M16	10.26	40	10
269458	500	146	40	575	603	M16	16.94	60	6
269459	600	146	40	683	711	M16	19.64	70	6

• PRESSURE RATING IS BASED ON PIPE BEING RESTRAINED (ANCHORED)

The information on this datasheet is, to the best of our knowledge correct at the time of printing. However Saint-Gobain are constantly looking at ways of improving their products and services Therefore reserve the right to change without prior notice, any of the data shown. Any orders places will be subject to our Standard Conditions of Sale, available on request.

COPYRIGHT AND DESIGN RIGHT

This drawing is the exclusive property of Saint-Gobain PAM UK and is confidential and must not be reproduced or disclosed for any third party without written consent. It must be used only for the purpose for which it has been issued and is returnable on request.