



RECOMMENDED USE:

The Rodding Branches are designed to accommodate rodding access at high level. Commonly made up of a series of fittings to achieve high level access points. The Rodding Branch is as a one-piece fitting capable of holding 5bar of pressure. The fitting can also be hung directly from the fitting without bracketing. Ultimately saving the installation time of this design type of application

TECHNICAL SPECIFICATION:

STANDARD: BS EN 877

MATERIAL: Grey Iron - (Grade 150) BS EN 1561

COATING: Red Epoxy at an average thickness of 70microns

BOLTS: M8 Stainless Steel Set Screw

NUTS: M8 Stainless Steel Flanged Nut

GASKET MATERIAL: 6x3mm Natural Rubber - BS 2494

SYSTEM FIRE RATING: A1

WATER TEMP RATING: 95° +/-2° (Resistance to Hot Water in 24hr cycle constant

PRODUCT MARKINGS:



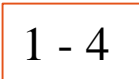
Manufacturing Date Codes



Identification Label



KITEMARK: KM 51733



Manufacturing Reference Code



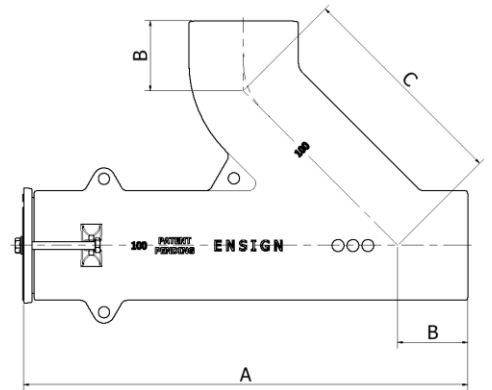
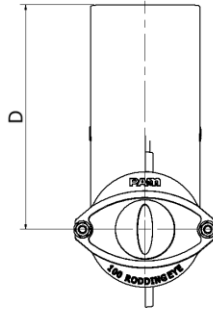
Saint-Gobain PAM UK

Tel: 0115 930 5000

www.saint-gobain-pam.co.uk

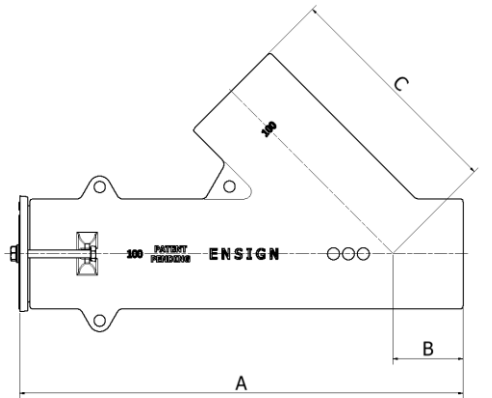
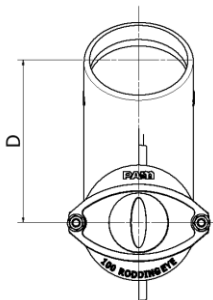
Email: technical.soildrain.uk.pam@saint-gobain.com

EF009 45° & 90° RODDING BRANCH	ISSUE NO:	1	DATE:	22/10/18
Manufactured in the UK to the highest Quality, Environmental and Health and Safety standards.				



EF009 90° RODDING BRANCH

SAP CODE	DIA	A	B	C	D	WEIGHT (kg)
266135	100x100	445	70	220	225	7.6



EF009 45° RODDING BRANCH

SAP CODE	DIA	A	B	C	D	WEIGHT (kg)
266138	100x100	445	70	230	163	7.0

- The Rodding Branch is sold with Blanking Cap assembled.
- Patent Design Pending.