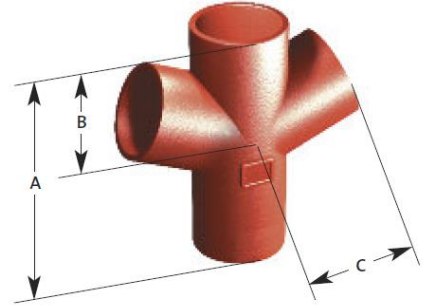


EF010 – 69° Double Branch



Product code	Dia	A	B	C	WTKG
191510	100X100	215	130	130	3.4

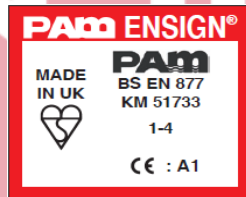
General Description

69° Double Branch


Technical Specification

Product code:	See Table
Standard:	BS EN 877: 1999/AC: 2008
Material:	Cast Iron – BS EN 1561
Coating:	Red epoxy to an average thickness of 70microns
Component Fire Rating:	A1
System Fire Rating:	A1
Water Temperature Rating:	95° +/- 2° (Resistance to Hot Water in 24hr cycle constant)

Product Identification



CE Marking Certificate

 SAINT-GOBAIN PAM UK Lows Lane Stanton-by-Dale - Ilkeston Derbyshire DE7 4QU 08	
Unique identification code of the product-type: E001A Declaration of Performance N°DoP-001UK AVCP: 3 for reaction to fire (Range) 4 for all other characteristics EN 877:1999/AC:2008	
Cast iron pipes and fittings, their joints and accessories for the evacuation of water from buildings EN 558 (Soil) Range Pipes, fittings and couplings DN 50-600	
Reaction to fire	
- Cast iron	A1
- Range	A1
Internal pressure strength	Conform
Dimension tolerances	Conform
Impact resistance	Conform
- Mechanical properties (pipes)	
• Tensile strength	300 MPa (average value)
• Ring crush strength	450 MPa (average value)
• Brinell hardness	220 HB (average value)
Tightness	Conform
- Water tightness *	
Internal pressure DN ≤ 200	≥ 5 bar
DN > 200	≥ 3 bar
* excluded flexible couplings, joints connecting to sanitary ware ...)	
Durability	Conform
- External coatings	
• Pipes	Acrylic/Conform
• Fittings	Epoxy/Conform
- Internal coatings	
• Pipes **	Epoxy/Conform
• Fittings **	Epoxy/Conform
** including resistance to salt spray ≥ 1500 h	

Saint Gobain PAM

Lows Lane, Stanton-by-Dale
Ilkeston, Derbyshire, DE7 4QU

Sales : 0115 930 0630

Technical T:01952 262 529 F: 01952 262 592

E: technical.soldrain.uk.pam@saint-gobain.com

* PLEASE NOTE: At the time this data sheet was prepared all the data shown was accurate at the time of release.

