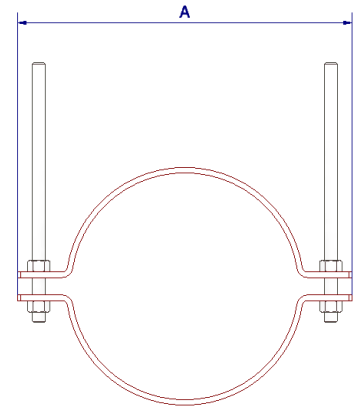
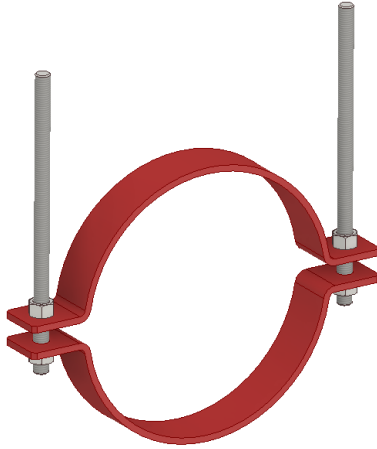


EF048SBMS – Split Band Mild Steel Bracket



General Description


Split Band Mild Steel Hanging Bracket

Technical Specification

- Prod code:** See Table
- Standard:** BS EN 877: 1999/AC: 2008
- Material:** Mild Steel
- Coating:** Red Oxide primer paint
- Clamping Bolts:** 2 x Zinc & Clear Mild Steel Hex Head Bolts (M8) – All Sizes
- Clamping Nuts:** 2 x Zinc & Clear Mild Steel Hex Head Nuts (M8) – All Sizes
- System Fire Rating:** A1
- Water Temperature Rating:** 95° +/- 2° (Resistance to Hot Water in 24hr cycle constant)

Product code	Dia	A	B	WTKG
261761	400	520	40	2.4
261762	500	640	60	6.8

CE Marking Certificate



SAINT-GOBAIN PAM UK
Lows Lane
Stanton-by-Dale - Ilkeston
Derbyshire DE7 4QU
08

Unique identification code of the product-type: E001A
Declaration of Performance N°DoP-001UK
AVCP: 3 for reaction to fire (Range)
4 for all other characteristics

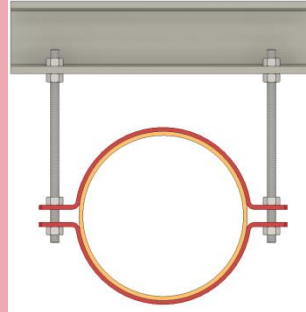
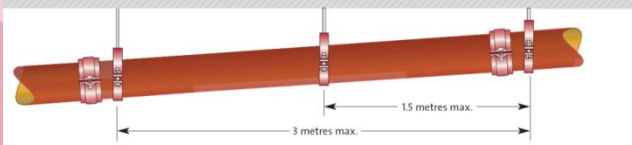
EN 877:1999/AC:2008
Cast iron pipes and fittings, their joints and accessories
for the evacuation of water from buildings

ENSIGN S (Soil) Range
Pipes, fittings and couplings DN 50-600

Reaction to fire	
- Cast iron	A1
- Range	A1
Internal pressure strength	Conform
Dimension tolerances	Conform
Impact resistance	Conform
- Mechanical properties (pipes)	
• Tensile strength	300 MPa (average value)
• Ring crush strength	450 MPa (average value)
• Brinell hardness	220 HB (average value)
Tightness	Conform
- Water tightness *	
Internal pressure	
DN ≤ 200	≥ 5 bar
DN > 200	≥ 3 bar
* excluded flexible couplings, joints connecting to sanitary ware ...)	
Durability	Conform
- External coatings	
• Pipes	Acrylic/Conform
• Fittings	Epoxy/Conform
- Internal coatings	
• Pipes **	Epoxy/Conform
• Fittings **	Epoxy/Conform
** including resistance to salt spray	

Support Recommendations

Recommended Bracket Spacing: 2 per 3m Pipe. As advised in (BS EN 12056-2)



Recommended Threaded Rod sizes

Bracket Diameter	400	500
Threaded Rods (Recommended)	M16x2	M16x2

The EF048SBMS provides double fixing as standard and can withstand hanging up to 2m from the underside of the floor slab.

Lateral movement brace may be required for horizontal pipework at 20m spacing's or where deemed necessary.

For use in other situations please seek advice from the Telford Technical Department on 01952 262529.



BS EN
9001:2008
Registered
No: FM12908



Saint Gobain PAM
Lows Lane, Stanton-by-Dale
Ilkeston, Derbyshire, DE7 4QU
Sales : 0115 930 0630
Technical T:01952 262 529 F: 01952 262 592
E: technical.soildrain.uk.pam@saint-gobain.com

