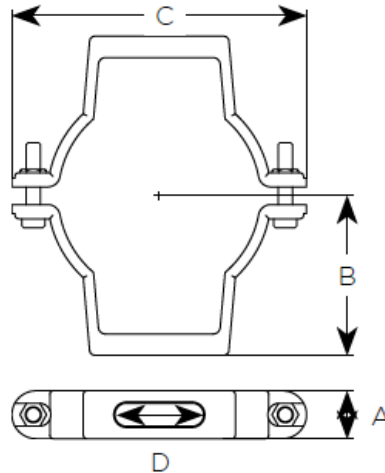


UNICLASS G5811: L7312	
Cl/Sfb	(52.5)
2019	

EF049 – Ductile Iron Bracket



Product code	Dia	A	B	C	WTKG
177744	100	27	90	166	0.8



General Description

Ductile Iron Two Piece Hanging Bracket

Technical Specification

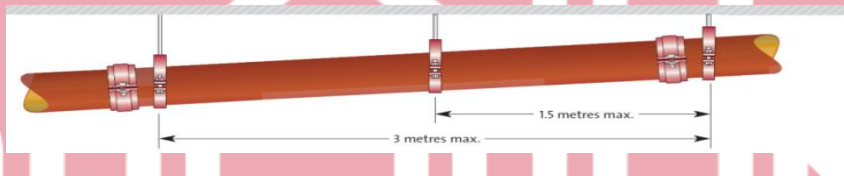
- Prod code:** See Table
Standard: BS EN 877: 1999/AC: 2008
Material: Ductile Iron – (Grade 420) BS EN 877
Coating: Red Epoxy to an average thickness of 70microns
Bolts: 2 x Zinc & Clear Mild Steel Hex Head Bolts (M8)
Nuts: 2 x Zinc & Clear Mild Steel Hex Head Nuts (M8)
Component Fire Rating: A1
System Fire Rating: A1
Water Temperature Rating: 95° +/- 2° (Resistance to Hot Water in 24hr cycle constant)

Wastewater systems Ensign and EEZI-FIT – (100mm diameter) wall density 220kg/m²

Flow rate l/s	AIRBORNE SOUND			STRUCTURE BORNE		
	2.0	4.0	8.0	2.0	4.0	8.0
Ensign pipework fitted with two brackets – iron bracket EF048	45	48	54	27	32	34

Support Recommendations


Recommended Bracket Spacing: 2 per 3m Pipe. As advised in (BS EN 12056-2)



Bracket diameter	50	70	100	125	150	200	250	300
Threaded rods (recommended)	M10	M10	M10	M10	M12	M12	M12 (x 2)	M12 (x 2)

Maximum recommended length of threaded rod is 1 metre for single drop EF048, two drops recommended over 1 metre EF049 type bracket. Lateral movement brace **may** be required for horizontal pipework at 6 metre spacing.

CE Marking Certificate

 SAINT-GOBAIN PAM UK Lows Lane Stanton-by-Dale - Ilkeston Derbyshire DE7 4QU 08	
Unique identification code of the product-type: E001A Declaration of Performance N°DoP-001UK AVCP: 3 for reaction to fire (Range) 4 for all other characteristics EN 877:1999/AC:2008 Cast iron pipes and fittings, their joints and accessories for the evacuation of water from buildings ENSIGN S (Soil) Range Pipes, fittings and couplings DN 50-600	
Reaction to fire	
- Cast iron	A1
- Range	A1
Internal pressure strength	Conform
Dimension tolerances	Conform
Impact resistance	Conform
- Mechanical properties (pipes)	
• Tensile strength	300 MPa (average value)
• Ring crush strength	450 MPa (average value)
• Brinell hardness	220 HB (average value)
Tightness	Conform
- Water tightness *	
Internal pressure DN ≤ 200	≥ 5 bar
DN > 200	≥ 3 bar
* excluded flexible couplings, joints connecting to sanitary ware ...)	
Durability	Conform
- External coatings	
• Pipes	Acrylic/Conform
• Fittings	Epoxy/Conform
- Internal coatings	
• Pipes **	Epoxy/Conform
• Fittings **	Epoxy/Conform
** including resistance to salt spray	≥ 1500 h

Saint Gobain PAM

Lows Lane, Stanton-by-Dale
 Ilkeston, Derbyshire, DE7 4QU

Sales : 0115 930 0630

Technical T:01952 262 529 F: 01952 262 592

E: technical.soildrain.uk.pam@saint-gobain.com

