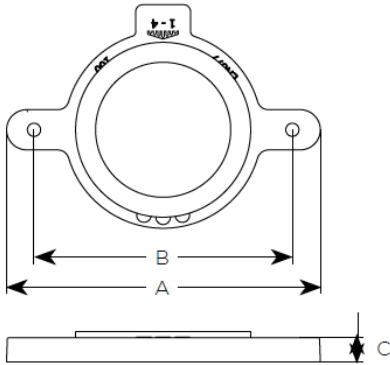


UNICLASS G5811: L7312	
Cl/Sfb	(52.5)
2019	

## EF051 – Stack Support Bracket



Product code	Dia	A	B	C	WTKG
191857	70	215	170	20	1.1
191843	100	259	214	20	1.5
191844	125	275	228	20	1.7
191845	150	300	255	22	2.6
*157014	200	362	310	22	3.5
*157097	250	444	394	40	6.1
*157160	300	498	448	40	14.0

\*Complete with stack support pipe EF050

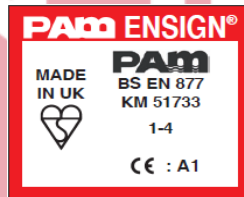
## General Description

Stack Support Bracket


## Technical Specification

<b>Product code:</b>	See Table
<b>Standard:</b>	BS EN 877: 1999/AC: 2008
<b>Material:</b>	Cast Iron – BS EN 1561
<b>External Coating:</b>	Red epoxy to an average thickness of 70microns
<b>Gasket Material:</b>	EPDM Rubber EN 681
<b>Component Fire Rating:</b>	A1
<b>System Fire Rating:</b>	A1
<b>Water Temperature Rating:</b>	95° +/- 2° (Resistance to Hot Water in 24hr cycle constant)

## Product Identification



## CE Marking Certificate

 SAINT-GOBAIN PAM UK Lows Lane Stanton-by-Dale - Ilkeston Derbyshire DE7 4QU 08	
Unique identification code of the product-type: E001A Declaration of Performance N°DoP-001UK AVCP: 3 for reaction to fire (Range) 4 for all other characteristics EN 877:1999/AC:2008 Cast iron pipes and fittings, their joints and accessories for the evacuation of water from buildings ENIGNS S (Soil) Range Pipes, fittings and couplings DN 50-600	
Reaction to fire - Cast iron - Range Internal pressure strength Dimension tolerances Impact resistance - Mechanical properties (pipes) • Tensile strength • Ring crush strength • Brinell hardness Tightness - Water tightness * Internal pressure DN ≤ 200 DN > 200 * excluded flexible couplings, joints connecting to sanitary ware ...	A1 A1 Conform Conform Conform Conform 300 MPa (average value) 450 MPa (average value) 220 HB (average value) Conform ≥ 5 bar ≥ 3 bar
Durability - External coatings • Pipes • Fittings - Internal coatings • Pipes ** • Fittings ** ** including resistance to salt spray	Conform Acrylic/Conform Epoxy/Conform Epoxy/Conform Epoxy/Conform ≥ 1500 h

## Saint Gobain PAM

Lows Lane, Stanton-by-Dale  
Ilkeston, Derbyshire, DE7 4QU

Sales : 0115 930 0630

Technical T:01952 262 529 F: 01952 262 592

E: technical.soldrain.uk.pam@saint-gobain.com

\* PLEASE NOTE: At the time this data sheet was prepared all the data shown was accurate at the time of release.

