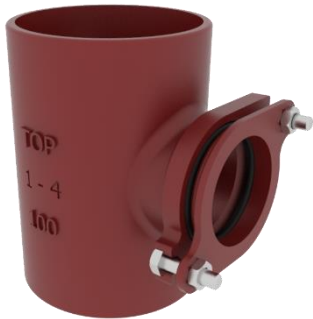


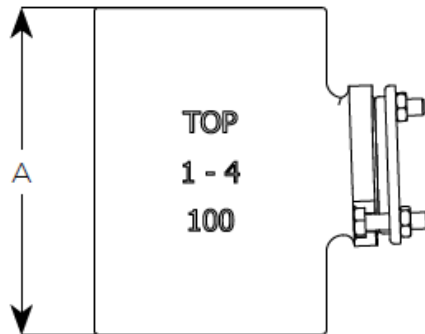
UNICLASS G5811: L7312		
Cl/Sfb		(52.5)
2019		

## EF090 – Single Boss pipe



Product code	Dia	A	WTKG
156371	50	150	1.2
156460	70	146	1.6
156573	100	155	2.1
156836	125	175	3.8

'O' Ring rubber compression fit.  
Connects 54-56mm copper or UPVC waste



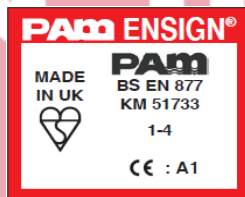
## General Description

Single compression fit Boss Pipe


## Technical Specification

<b>Product code:</b>	See Table
<b>Standard:</b>	BS EN 877: 1999/AC: 2008
<b>Material:</b>	Cast Iron – BS EN 1561
<b>Coating:</b>	Red epoxy to an average thickness of 70microns
<b>Bolts:</b>	Zinc & Clear Mild Steel Hex Head Bolts (M8)
<b>Nuts:</b>	Zinc & Clear Mild Steel Hex Head Nuts (M8)
<b>Gasket Material:</b>	EPDM Rubber EN 681
<b>Component Fire Rating:</b>	A1
<b>System Fire Rating:</b>	A1
<b>Water Temperature Rating:</b>	95° +/- 2° (Resistance to Hot Water in 24hr cycle constant)

## Product Identification



## CE Marking Certificate

 SAINT-GOBAIN PAM UK Lows Lane Stanton-by-Dale - Ilkeston Derbyshire DE7 4QU 08	
Unique identification code of the product-type: E001A Declaration of Performance N°DoP-001UK AVCP: 3 for reaction to fire (Range) 4 for all other characteristics EN 877:1999/AC:2008 Cast iron pipes and fittings, their joints and accessories for the evacuation of water from buildings <b>ENSIGN S (Soil) Range</b> Pipes, fittings and couplings DN 50-600	
Reaction to fire	
- Cast iron	A1
- Range	A1
Internal pressure strength	Conform
Dimension tolerances	Conform
Impact resistance	Conform
- Mechanical properties (pipes)	
• Tensile strength	300 MPa (average value)
• Ring crush strength	450 MPa (average value)
• Brinell hardness	220 HB (average value)
Tightness	Conform
- Water tightness *	
Internal pressure	
DN ≤ 200	≥ 5 bar
DN > 200	≥ 3 bar
* excluded flexible couplings, joints connecting to sanitary ware ...)	
Durability	Conform
- External coatings	
• Pipes	Acrylic/Conform
• Fittings	Epoxy/Conform
- Internal coatings	
• Pipes **	Epoxy/Conform
• Fittings **	Epoxy/Conform
** including resistance to salt spray ≥ 1500 h	

## Saint Gobain PAM

Lows Lane, Stanton-by-Dale  
Ilkeston, Derbyshire, DE7 4QU

Sales : 0115 930 0630

Technical T:01952 262 529 F: 01952 262 592

E: technical.soldrain.uk.pam@saint-gobain.com

\* PLEASE NOTE: At the time this data sheet was prepared all the data shown was accurate at the time of release.

