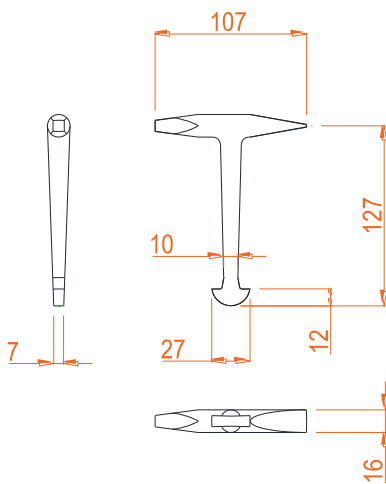
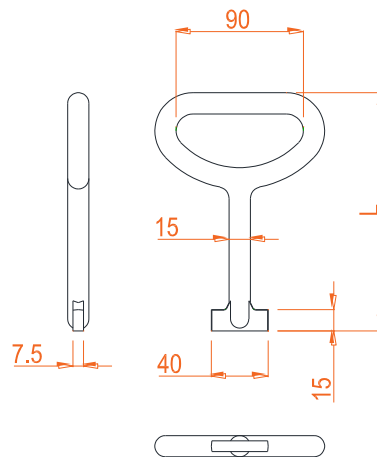


We offer a comprehensive range of lifting and combined locking and lifting keys for use with our wide range of access cover, large gully gratings, kerb drainage and surface box solutions

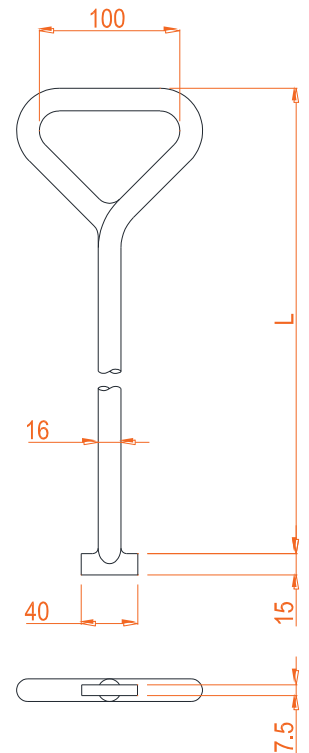
Standard lifting keys



T” handled light duty lifting key for use with most B125 access covers and Grade A surface boxes



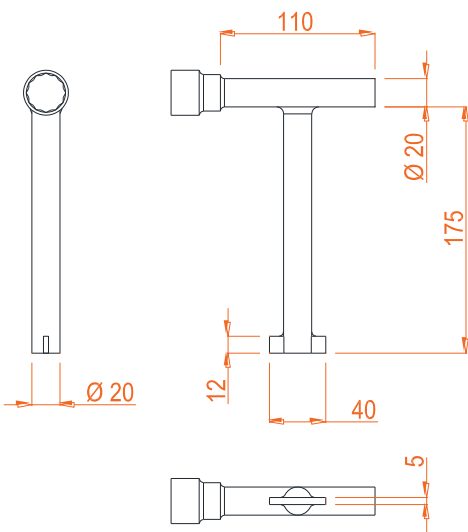
Loop handled heavy duty lifting keys for use with all C250 to F900 access covers, large gully gratings and larger Grade A surface boxes



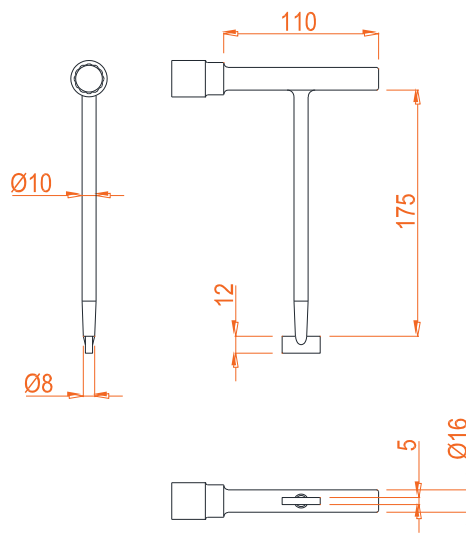
LIFTING KEYS	ISSUE NO:	SGPUK039	DATE:	2.2019
Manufactured in the UK to the highest Quality, Environmental Health & Safety Standards.				



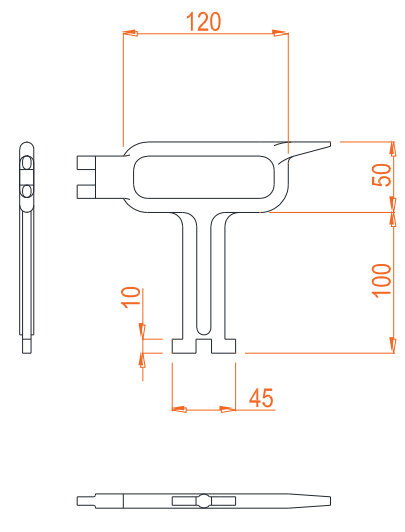
Product specific combined locking and lifting keys



Opt-Emax standard locking & lifting key



Aksess UK locking & lifting key. 19mm socket size



Aquakerb locking & lifting key

Locking & Lifting Keys

SAP Code	Description	Length (mm)	Socket Size (mm)	Surface Finish	Internal Ref.
C51	Light duty T handled lifting key	127		Self Colour	RMA 63
C50	Heavy duty loop handled lifting key	168		Self Colour	RMA 62
190667	Heavy duty loop handled lifting key	460		Galvanised	RMA 56
190668	Heavy duty loop handled lifting key	610		Galvanised	RMA 57
190664	Opt-Emax combined locking & lifting key	195	19	Self Colour	RMA 41
190665	Opt-Emax combined locking & lifting key	195	24	Self Colour	RMA 42
187099	Aksess UK locking & lifting key	195	19	Self Colour	HM 405
191156	Aquakerb combined locking & lifting key	150		Self Colour	S00099