

PRODUCT DATASHEET

RECOMMENDED FOR USE IN:

Carriageways carrying continuous traffic where frequent access to below ground assets is required.

Specifically designed to combine ease of use and durability with greater security. The Ult-Emax range of access covers incorporates a semi-ergonomic hinging system, making it ideal for one man inspection operations.



DURABILITY

Includes the Load Transfer System (LTS) for optimum installation and product durability



SECURITY

Integral automatic spring bar locking feature to deter unauthorised access offering increased asset security



HEALTH & SAFETY

Hinged master cover section ensuring safe, operation by reducing the effort required when opening and closing



PERFORMANCE

Three point suspension ensures non-rock and silent in operation performance



ACCREDITATION

Third party certified by BSI and kite marked to the requirements of BS EN 124. Compliant to the requirements of Highways England advice note HA104/09



ROAD SAFETY

Radial raised chequer design with independently verified skid & slip resistance values

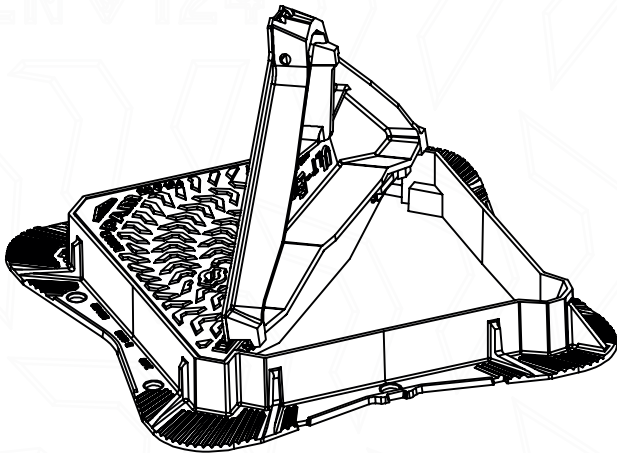


SAVE TIME & COST

Available with the Install Plus frame levelling and installation system as standard

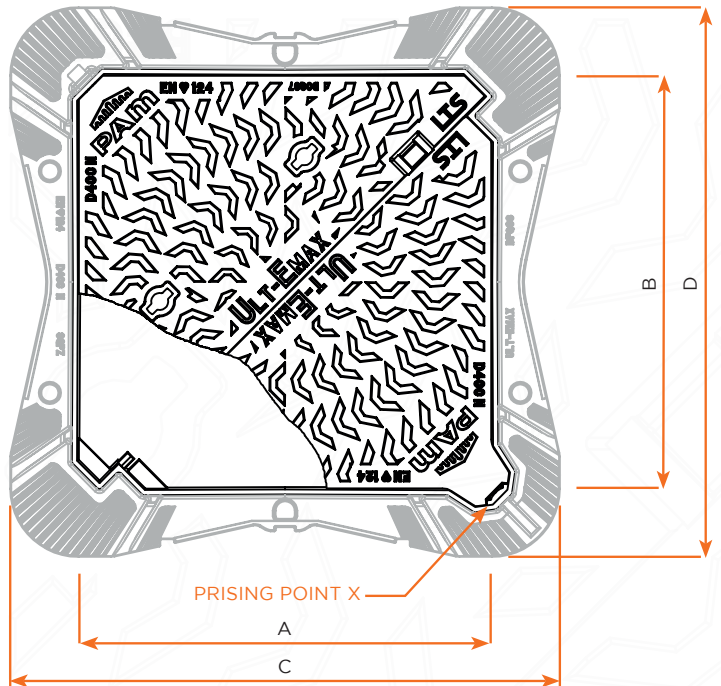
ULT-EMAX D400 ACCESS COVER RANGE

SAP CODE	BS EN124 CLASS	CLEAR OPENING A x B (mm)	OVER BASE C x D (mm)	DEPTH E (mm)	MASS OF COVER (kg)	TOTAL MASS (kg)	BEARING PRESSURE (N/mm ²)	PALLET QUANTITY	PREVIOUS REF.
205763	D400	600 x 600	806 x 806	100	27.3 / 20.7	84	1.82	20	BG06 1
205765	D400	600 x 600	806 x 806	150	27.3 / 20.7	94	2.02	20	BG14 1
211605	D400	675 x 675	880 x 830	100	35.5 / 26.2	97	1.83	20	BG22 1
211606	D400	675 x 675	880 x 830	150	35.5 / 26.2	107.5	1.96	20	BG30 1



Prise open Primary Cover at point X using suitable prising lever.
 Insert lifting Key into exposed Keyhole
 Rotate cover upwards by 90° and lift out
 Remove Secondary Cover conventionally

Primary Cover is locked closed with a Spring Arm, but once released, can be rotated upwards to 110° for inspection purposes.
 Both covers should be removed for Entry.



+ For Install Plus details see Install Plus information sheet
 For 'Anti-Skid' versions see Ult-Emax Grip Top data sheet.
 Produced at Holwell Works, UK