



612 Potable Water – Double Orifice Air Valve

DN50 – 150, PN10/16/25

By offering maximum capacity combined with reduced weight, the 612 double orifice air valve meets all application and installation parameters regardless of piping material. There is a minimum of moving parts to ensure reliability over many years. Suitable for bulk release/ingress of air during filling/draining of the line and the release of trapped air whilst at operating pressure.

Main features

- Low weight combined with a robust design ensures ease of installation
- High discharge and inflow capacities
- Minimum number of working parts ensures valves require minimal maintenance
- All valves coated with fusion bonded epoxy to BS EN 14901
- All fixing bolts stainless steel as standard
- Internals of valves are 100% holiday free
- Supplied with insect mesh as standard to prevent ingress of foreign matter through outlet
- All non-metallic materials are WRAS approved

Options available

- Butterfly valve isolating valve
- Piped outlet
- Bib/drain tap



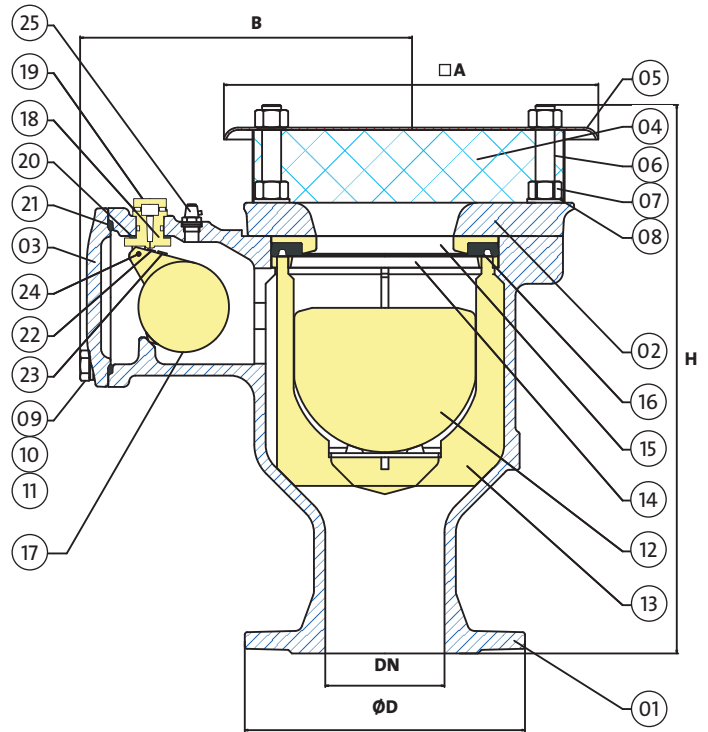
Technical Features

Technical information

- Fully compliant to BS EN 1074-4
- Maximum operating temperature 90°C
- Minimum operating pressure 0.5 bar

Materials

Item	Quantity	Description	Material
01	01	Body	Ductile iron GS 400-15
02	01	Upper flange	Ductile iron GS 400-15
03	01	Cover	Ductile iron GS 400-15
04	01	Protection grid	Stainless steel BS EN 10088 Gr. 1.4301
05	01	Cover	Stainless steel BS EN 10088 Gr. 1.4301
06	04	Threaded bar	Stainless steel BS EN 10088 Gr. 1.4301
07	08	Nut	Stainless steel A2-70
08	04	Washer	Stainless steel A2-70
09	04	Bolt	Stainless steel A2-70
10	04	Nut	Stainless steel A2-70
11	04	Washer	Stainless steel A2-70
12	01	Float	ABS
13	01	Float guide	ABS
14	01	Ring	ABS
15	01	Gasket seat	ABS
16	01	Lip seal	EPDM 55
17	01	Float	ABS
18	01	Nozzle	ABS
19	01	Cap	ABS
20	01	Gasket	EPDM 55
21	01	'O' ring	EPDM 55
22	01	Gasket	EPDM 55
23	01	Adjusting screw	Stainless steel A2-70
24	01	Pin	Stainless steel
25	01	Vent valve	Brass

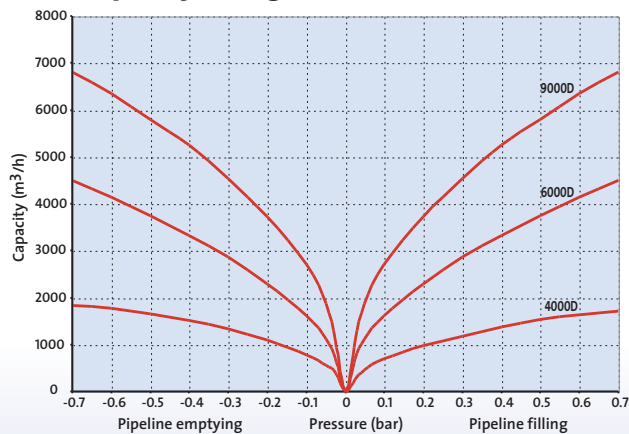


Dimensions and weights

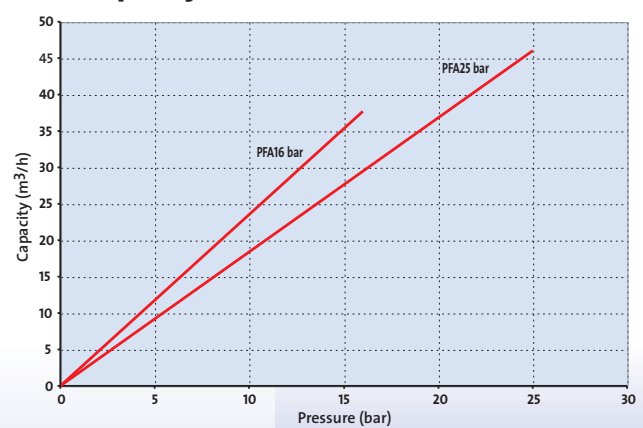
Type	DN	ØD	□A	B	H	Weight
4000D	50/60/65	185	150	198	275	15
6000D	80	200	220	222	370	25
9000D	100	235	270	250	460	38
	150	300	270	250	460	42

Dimensions in mm. Weight in kg. Flanges in accordance with BS EN 1092-2.

Flow capacity – large orifice



Flow capacity – small orifice



Saint-Gobain PAM UK Ltd

Lows Lane, Stanton-by-Dale, Ilkeston, Derbyshire DE7 4QU
 Tel: +44 (0)115 930 5000
 Fax: +44 (0)115 932 9513
 Website: www.saint-gobain-pam.co.uk

The information given in this leaflet is, to the best of our knowledge, correct at the time of going to press. However Saint-Gobain PAM UK are constantly looking at ways of improving their products and services and therefore reserve the right to change, without prior notice, any of the data contained in this leaflet. Please contact our Technical Sales Department for detailed advice.

© 2009 Saint-Gobain PAM UK



Cert. No. 12908