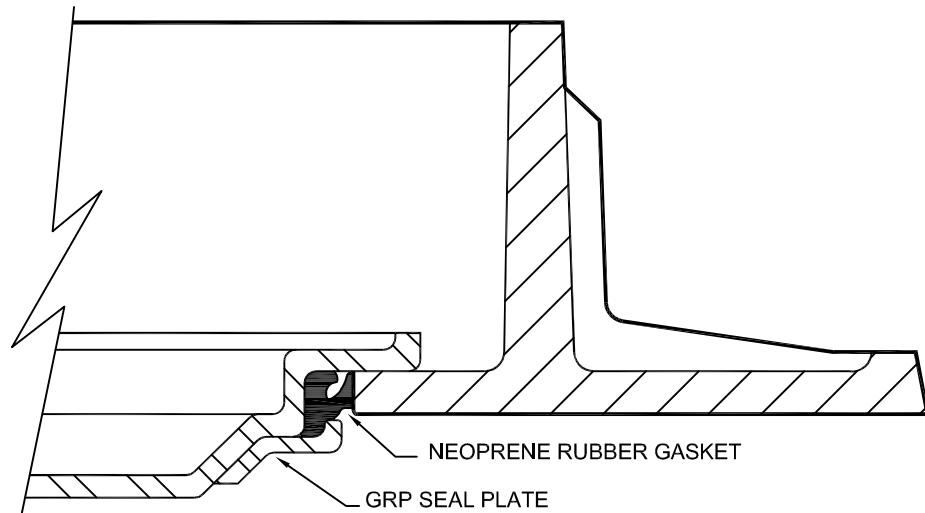
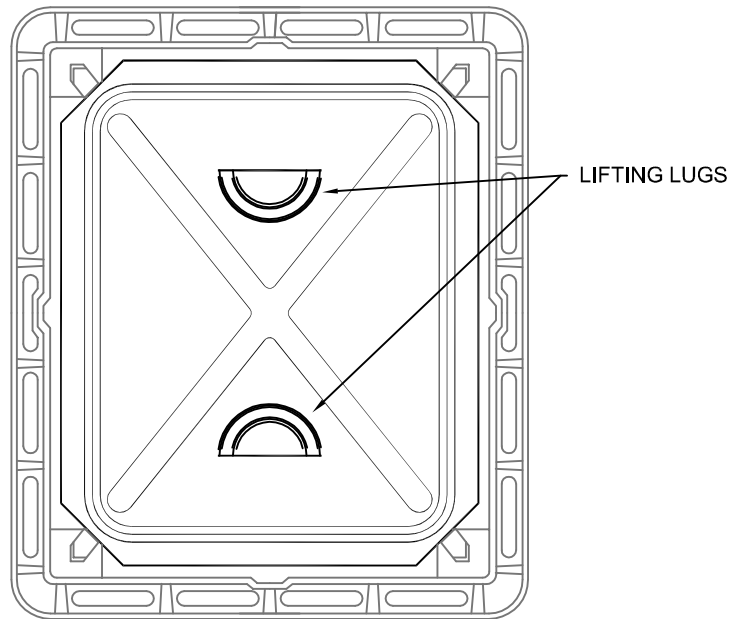


Reference	SEAL PLATES (GRP)		ISSUE No	6
	GRP PUSH FIT SEAL PLATES	Date	16/05/11	
		Scale	N.T.S.	
		Drawn	R.Hall	

MBU INFORMATION SHEET

See Product Catalogues for details of units which can be fitted with push fit seal plates.



PUSH FIT GLASS RE-INFORCED PLASTIC (GRP) SEAL PLATES

GRP seal plates act as a protective barrier against the egress of odours and the corrosive properties of sewer gases, notably in countries where the temperatures are high. They can also prevent the ingress of sand or dirt & may limit the ingress of water in normal rainfall conditions.

GRP push fit seal plates are not capable of performing under conditions of back pressure.

INSTALLATION

Push fit GRP seal plates can be easily installed with the frame insitu, and are readily removeable to allow fast access to shafts.

Push fit GRP seal plates may be retrospectively fitted into appropriate frames.