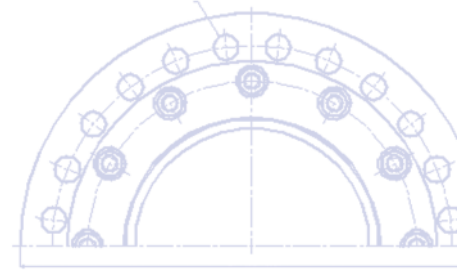




# GS range – Dedicated Couplings and Flange Adaptors

## DN350 – 2000, PN16 or PN25

Couplings (GSLINK) and flange adaptors (GSQUICK) with low tolerance to suit known pipe OD.

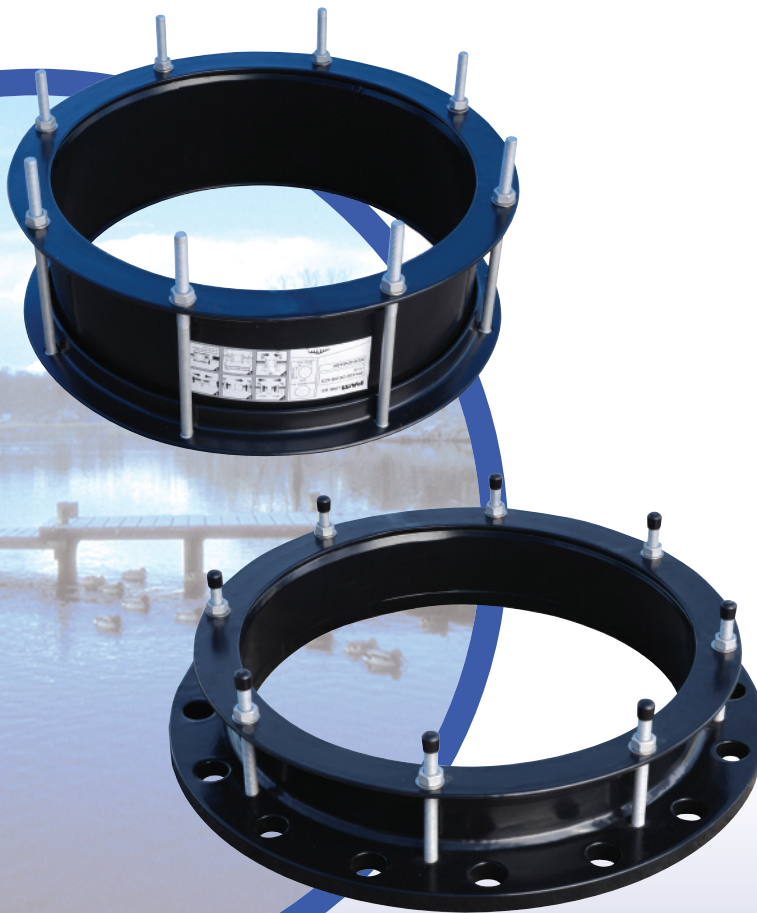


### Main features

- Standard products to suit Ductile Iron pipe
- Standard range DN350 – 1200
- Products rated to 16 Bar as standard
- Product is delivered with gaskets and bolting supplied loose for ease of installation

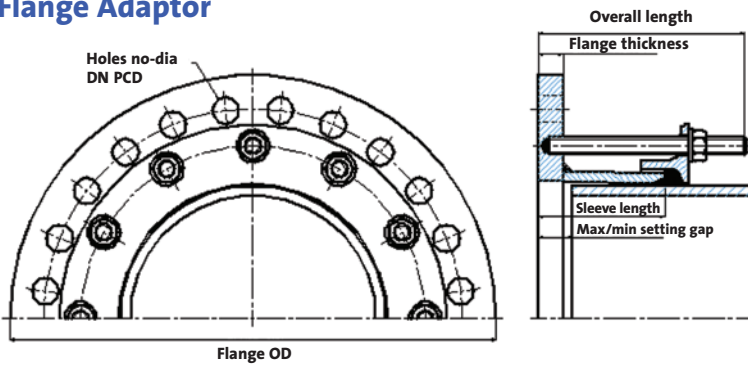
### Options

- DN1400 – 2000
- Products for other pipe materials
- 25 Bar rated product
- Available with EPDM or Nitrile gasket
- Stepped couplings available on request
- Notched flange adaptors for end restraint

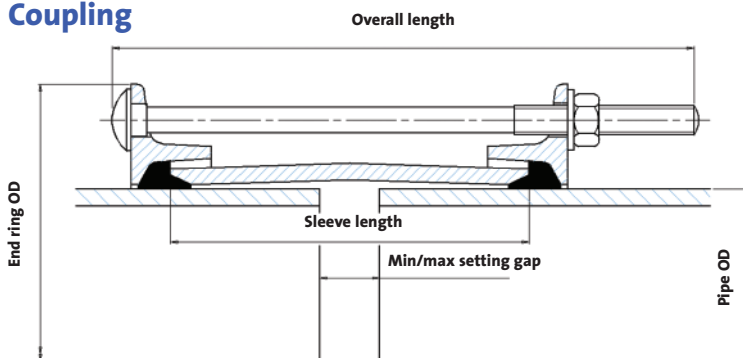


# Technical Features

## Flange Adaptor



## Coupling



### Coupling & Flange Adaptor

Pipe Material	DN	Pipe OD (mm)	Tolerance (mm)	Min Setting Gap (mm)	Max Setting Gap (mm)	Angular Deflection Per Joint (degrees)
DI	350	378	+2.5/-5.5	25	50	1.50
DI	400	429	+2.5/-5.5	25	50	1.50
DI	450	480	+2.9/-4.0	25	50	1.50
DI	500	532	+3.5/-4.5	25	50	1.25
DI	600	635	+3.0/-5.0	25	50	1.25
DI	700	738	+3.5/-4.5	25	50	1.00
DI	800	842	+1.0/-7.0	25	50	0.75
DI	900	945	+2.0/-6.0	38	76	0.75
DI	1000	1048	+1.0/-7.0	38	76	0.75
DI	1200	1255	+1.5/-6.5	38	76	0.75

### Flange Adaptor

Flange OD (mm)	Holes No-Dia (mm)	PCD (mm)	Flange Thickness (mm)	Overall Length (mm)	Sleeve Length (mm)	Studs	Weight (kg)
520	16-28	470	18	148	91	8-M12x14022.5	22.5
580	16-31	525	18	148	91	8-M12x140 26.1	26.1
640	20-31	585	23	153	96	10-M12x140 34.6	34.6
715	20-34	650	23	153	96	10-M12x140 42	42
840	20-37	770	23	153	96	10-M12x140 54.2	54.2
910	24-37	840	23	153	96	12-M12x140 53.1	53.1
1025	24-40	950	23	153	96	12-M12x140 63.3	63.3
1125	28-40	1050	25	169	112	14-M16x160 91.3	91.3
1255	28-43	1170	25	169	112	14-M16x160 111	111
1485	32-49	1390	38	182	125	16-M16x160 198	198

### Coupling

End Ring OD (mm)	Sleeve Length (mm)	Overall Length (mm)	Bolts	Weight (Kg)
469	150	243	8-M12x235	21.2
520	150	243	8-M12x235	23.7
571.5	150	243	10-M12x235	26.2
624	150	243	10-M12x235	29.2
726.5	150	243	10-M12x235	34.2
830	150	243	12-M12x235	39.6
931.5	150	243	14-M12x235	45.0
1054	180	276	12-M16x265	88.3
1156	180	276	14-M16x265	96.8
1378.5	178	276	18-M16x265	150.0

## Materials and coatings

Description	Material	Coating/specification
Sleeve	Steel	Rilsan nylon 11 (WRAS approved)
End ring	Steel	Rilsan nylon 11 (WRAS approved)
Gasket	EPDM	EN 681-1 (WRAS approved) nitrile option available
Bolting	Steel 4.8 Gr.	Silver Sheraplex
Flange	Steel	Rilsan nylon 11 (WRAS approved)

## Saint Gobain Pipelines

Lows Lane, Stanton-by-Dale, Ilkeston, Derbyshire DE7 4QU  
 Tel: 0115 930 5000 Sales Tel: 0115 930 0630  
 Fax: 0115 932 9513 Sales Fax: 0115 930 0648  
 Website: [www.saint-gobain-pipelines.co.uk](http://www.saint-gobain-pipelines.co.uk)

The information given in this leaflet is, to the best of our knowledge, correct at the time of going to print. However Saint-Gobain Pipelines are constantly looking at ways of improving their products and services and therefore reserve the right to change, without prior notice, any of the data contained in this leaflet. Please contact our Technical Sales Department for detailed advice.

© 2007 Saint-Gobain Pipelines

## Technical information

- Bolt torques: M12 = 40-50lb ft or 55-65 Nm  
M16 = 70-80lb ft or 95-110 Nm
- Maximum service temperature: 60°C



Cert. No. 12908