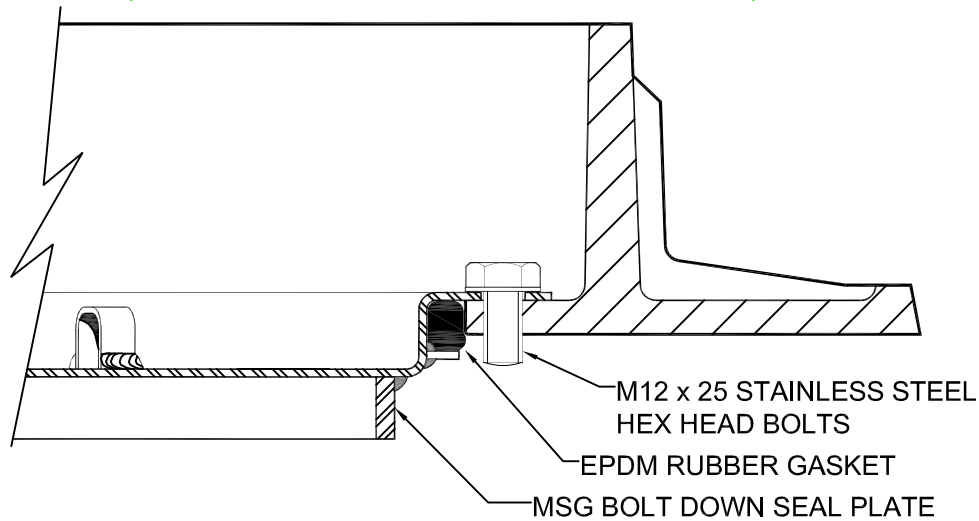
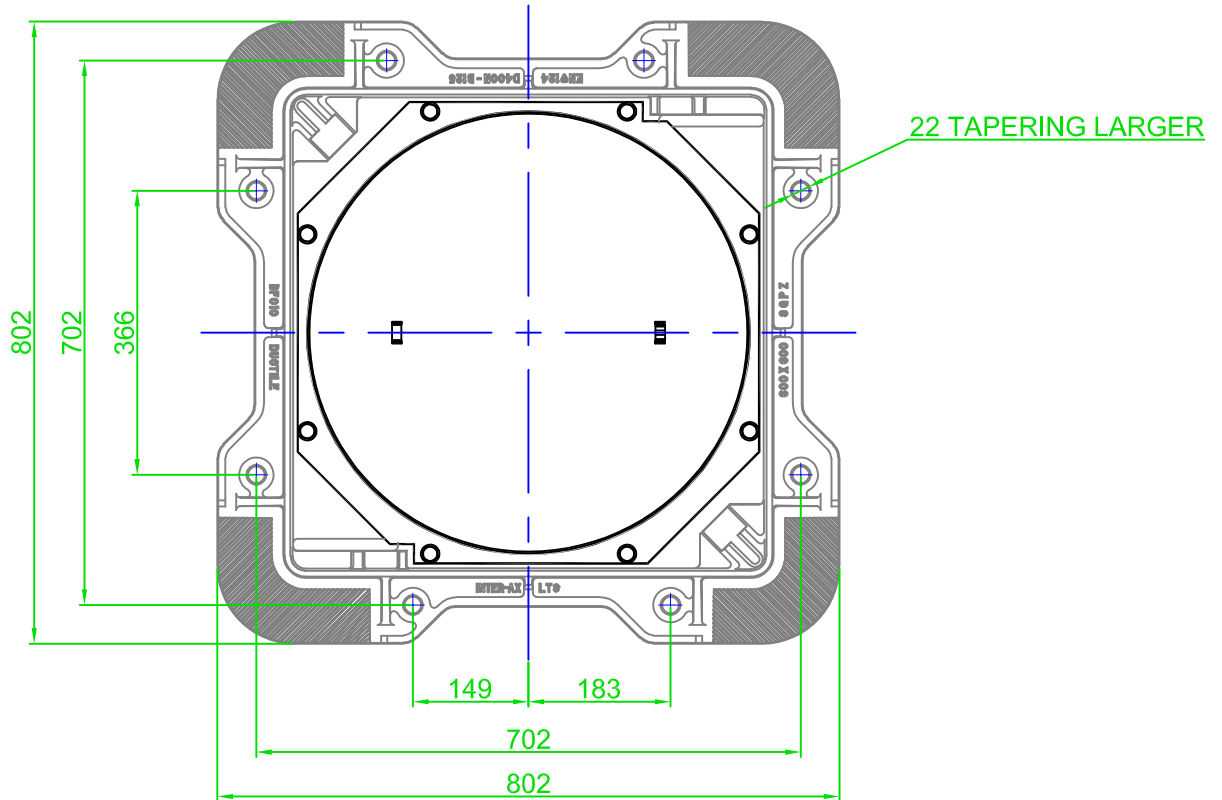


Reference	SEAL PLATE (MSG)	ISSUE No	11
	MILD STEEL GALVANIZED PRESSURE TIGHT BOLT DOWN SEAL PLATE	Date	28/02/17
	Suitable for internal pressure up to 0.5 bar	Approved	N.T.S.
		Drawn	R.Hall

MBU INFORMATION SHEET



MSG BOLT DOWN SEAL PLATES

Mild steel galvanized seal plates fitted with a gasket are bolted to the frame to prevent the egress of odours and may limit the ingress of water.

The seal is capable of withstanding a back pressure of up to 0.5bar (5m head).

Note MSG seal plates cannot be fitted retrospectively.

Only available for use with Inter-Ax ø600 Unit

Code for unit complete with seal plate = 185800 (Was BC10 1/AG)

Code for unit complete with MSG seal plate & bolt down covers = 185802 (Was BC10 1/CC)

Replacement EPDM Rubber Gasket = 187115