

Ultra NG – Wide Range Couplings and Flange Adaptors

DN50 – 300, PN16

Couplings (ULTRALINK NG) and flange adaptors (ULTRAQUICK NG) with wide tolerance range to suit different pipe OD.



Main features

- Pre-assembled for quick and easy installation
- Unique dynamic radial compression gasket sealing process eliminates post installation retightening
- Tolerance range of up to 30mm reduces stockholding to one size for a given nominal diameter
- Full compliance to BS EN 14525
- Maximum deflection 6° per joint
- Rated to 16 Bar working pressure (including products compatible with PN25 flanges)
- Suitable for ductile and cast iron, steel, and PVC pipes. Not suitable for PE or GRP pipes
- Flange adaptor with universal flange to suit PN10, PN16 and certain other drillings, dependent on size

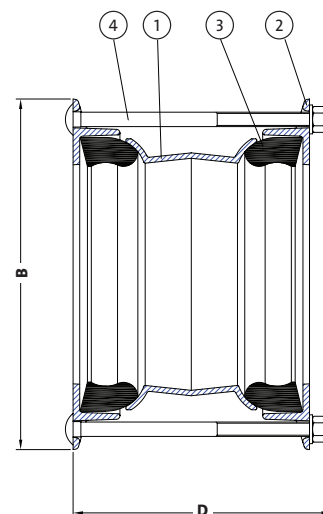
Technical Features

Technical information

- Bolt torques 60 – 70 Nm
- Maximum service temperature: 40°C

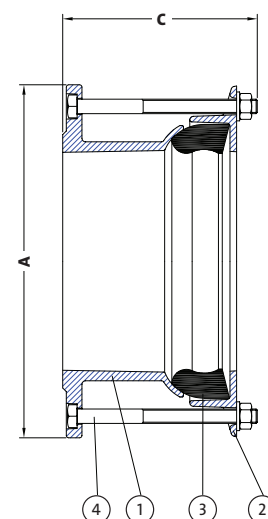
Coupling

SAP Code	Size	Range (mm)	B (mm)	D (mm)	Mass (kg)
MCX65RAAHA	A	49-71	176	182	3.9
MCX75RAAHB	B	62-84	190	182	4.5
MCX90RAAHC	C	80-102	208	182	5.4
MCY11RAAHD	D	97-127	240	232	7.6
MCY14RAAHE	E	123-153	267	232	9.8
MCY16RAAHF	F	151-181	295	232	11.6
MCY19RAAHP	FP	170-200	315	262	12.3
MCY21RAAHG	G	196-226	342	262	14.3
MCY22RAAHH	H	211-241	357	262	15
MCY25RAAHY	I	235-265	381	262	17.5
MCY27RAAHJ	J	260-290	407	292	19.1
MCY30RAAHR	JR	285-315	434	292	21.3
MCY32RAAHK	K	306-336	455	292	27
MCY33RAAHL	L	318-348	467	292	26.6



Flange Adaptor

SAP Code	Size	Range (mm)	A (mm)	C (mm)	Mass (kg)	Flanges					
						DN		Imperial		ANSI	
						PN10/16	PN25	A to E	F	125	250
MAA50HACHA	A	49-71	178	142	4.1	50, 60	2, 2.5	2	122	2	
MAA50HACHB	B	62-84	196	142	4.7	50-80	2.5, 3	2, 2.5	2.5, 3	2	
MAA65HACHC	C	80-102	209	142	5	65, 80	3	2.5	3		
MAB10HACHD	D	97-127	242	142	6.3	100	4				
MAB12HACHE	E	123-153	280	142	8.7	125, 150	5, 6	5	5	5	
MAB15HACHF	F	151-181	297	142	9.3	150	6E only	5	6	5	
MAB20HACHP	FP	170-200	337	142	11.1	200					
MAB20HACHG	G	196-226	348	142	11.4	200					
MAB20HACHH	H	211-241	363	172	12.1	200					
MAB25HACHY	I	235-265	402	172	16.5	250	10E only				
MAB25HACHJ	J	260-290	409	172	16.1	250	10E only				
MAB30HACHR	JR	285-315	459	173	21.1	300	12D, E only				
MAB30HACHK	K	306-336	459	173	20.5	300	12D, E only				
MAB30HACHL	L	318-348	469	173	20.6	300	12D, E only				



Materials and coatings

Description	Material	Coating/specification
Body	Ductile iron	Epoxy 250 mic. (WRAS approved)
End ring	Ductile iron	Epoxy 250 mic. (WRAS approved)
Gasket	EPDM	EN 681-1 (WRAS approved)
Bolting	Steel Gr. 6.8	Dacromet 320 L PLUS(WRAS approved)

Saint Gobain Pipelines

Lows Lane, Stanton-by-Dale, Ilkeston, Derbyshire DE7 4QU
 Tel: 0115 930 5000 Sales Tel: 0115 930 0630
 Fax: 0115 932 9513 Sales Fax: 0115 930 0648
 Website: www.saint-gobain-pipelines.co.uk

The information given in this leaflet is, to the best of our knowledge, correct at the time of going to print. However Saint-Gobain Pipelines are constantly looking at ways of improving their products and services and therefore reserve the right to change, without prior notice, any of the data contained in this leaflet. Please contact our Technical Sales Department for detailed advice.

© 2007 Saint-Gobain Pipelines



Cert. No.12908